

Specification Sheet



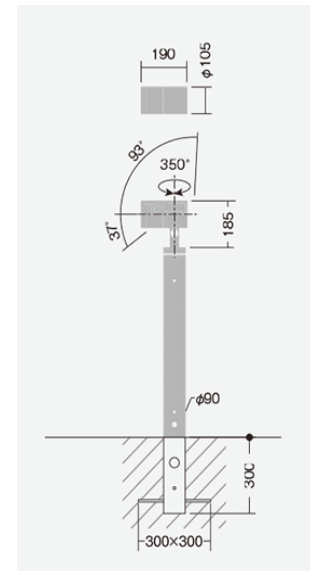
Luminaire Type : Spot light (Pole top type)

Model Code	<input type="checkbox"/> LLS-7106LUM	2700K
	<input type="checkbox"/> LLA-7009U	Recessed pole H230
	<input type="checkbox"/> LLA-7010U	Recessed pole H430
	<input type="checkbox"/> LLA-7011U	Recessed pole H730
	<input type="checkbox"/> LLA-7013U	Base plate pole H230
	<input type="checkbox"/> LLA-7014U	Recessed pole H430
	<input type="checkbox"/> LLA-7015U	Recessed pole H730
	<input type="checkbox"/> LLA-7016UE	Spike pole H230



Technical Data

Dimension	: D.105/L.190/H.234mm
Weight	: 3.1 Kg
Light source	: LED
Wattage	: 38W
Lumen, Color temp.	: 2820Lm(2700K)
Beam angle	: 18°
CRI	: 83
Protection Class(IP)	: IP65



Component & Information

Aluminum die-casting body, Aluminium extrusion pole, marine-grade painting with stainless color
 Tempered glass cover clear, Optical control lens
 *Internal LED driver for 100~242V, Non-dimmable
 *Two optional accessories can be used together.

Feature

Ruggedness to withstand harsh environments, and complete straight cylinder shape to harmonize with the appearance

Double waterproof structure / IP65

*Secondary waterproof for LED and internal driver
 *Primary waterproof for main body

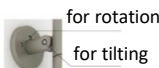
Two optional lens and filters can be installed

Flat surface with no water puddle even with upward lighting

Tilting angle scale



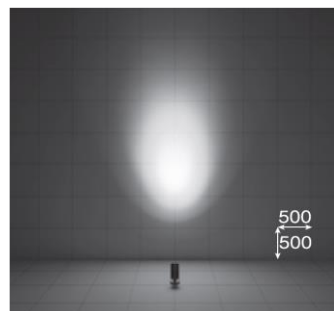
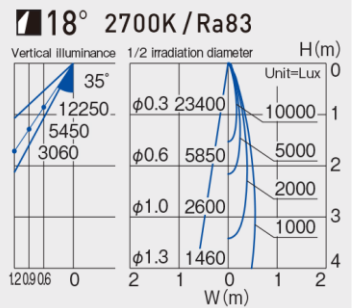
Lock function



for rotation

for tilting

Glareless black baffle mechanism realizing 40° cut-off angle



Luminaire position
900mm from wall, Tilting 35°

Accessories
