

# Specification Sheet



**Luminaire Type** : **Spot light** (Surface mounting/Flange type)

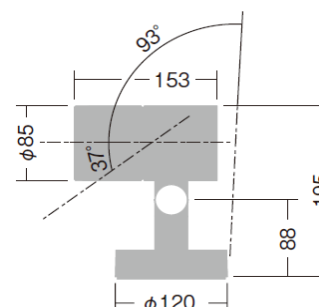
**Model Code**     **LLS-7093LUM**      2700K  
                        **LLS-7093YUM**      3000K



## ■ Technical Data

**Dimension** : D.85/L.153/H.195mm  
**Weight** : 2.1 Kg  
**Light source** : LED  
**Wattage** : 16W  
**Lumen, Color temp.** : 760Lm(2700K)/790Lm(3000K)

**Beam angle** : 12 °  
**CRI** : 83  
**Protection Class(IP)** : IP65



## ■ Component & Information

Aluminum die-casting body, marine-grade painting with stainless color  
 Tempered glass cover, clear  
 Optical control lens

\*Internal LED driver for 100~242V, Non-dimmable  
 \*Two optional accessories can be used together.

## ■ Feature

Ruggedness to withstand harsh environments,  
 and complete straight cylinder shape to  
 harmonize with the appearance

Double waterproof  
 structure / IP65

\*Secondary waterproof for  
 LED and internal driver  
 \*Primary waterproof for  
 main body

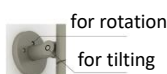
Two optional lens and  
 filters can be installed

Flat surface with no  
 water puddle even with  
 upward lighting

Tilting angle scale



Lock function



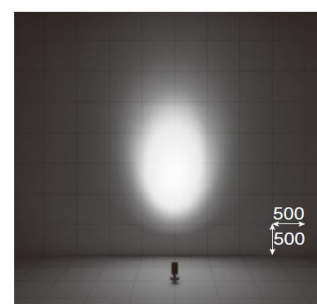
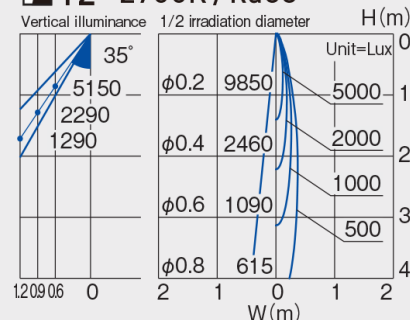
for rotation

for tilting

Glareless black baffle mechanism  
 realizing 40° cut-off angle



## ■ 12° 2700K/Ra83



Luminaire position  
 900mm from wall, Tilting 35°

## ■ Accessories



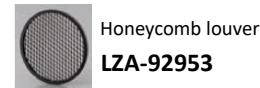
Wide diffusion lens  
**LZA-92557**



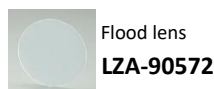
Spread lens  
**LZA-90571**



Coldtone filter  
**LZA-90574**



Honeycomb louver  
**LZA-92953**



Flood lens  
**LZA-90572**



Warmtone filter  
**LZA-90573**



Hood  
**LLA-7118U**