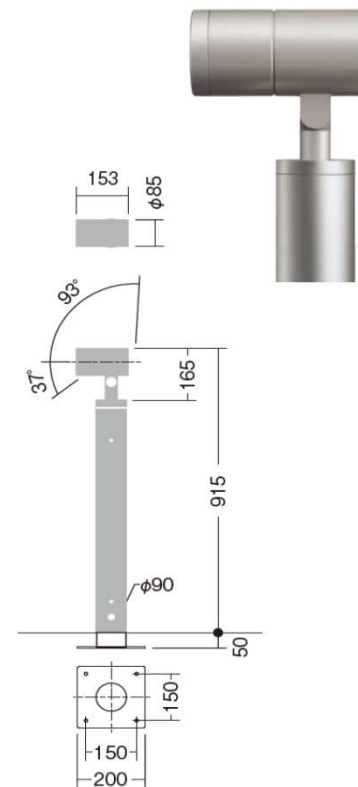


Specification Sheet



Luminaire Type : Spot light (Pole top type)

Model Code	<input type="checkbox"/> LLS-7002WUME	5000K
	<input type="checkbox"/> LLS-7002NUME	4000K
	<input type="checkbox"/> LLS-7002YUME	3000K
	<input type="checkbox"/> LLS-7002LUME	2700K
	<input checked="" type="checkbox"/> LLA-7015U	Base plate pole H900



Technical Data

Dimension	: D.85/L.153/H.915mm
Weight	: 4.7 Kg
Light source	: LED
Wattage	: 6.1W
Lumen, Color temp.	: 310Lm(5000K)/305Lm(4000K) 300Lm(3000K)/285Lm(2700K)
Beam angle	: 14°
CRI	: 83
Protection Class(IP)	: IP65

Component & Information

Aluminum die-casting body, Aluminium extrusion pole, marine-grade painting with stainless color
Sainless steel base plate, black painted
Tempered glass cover clear, Optical control lens
*Internal LED driver for 100~242V, Non-dimmable
*Two optional accessories can be used together.

Feature

Ruggedness to withstand harsh environments, and complete straight cylinder shape to harmonize with the appearance

Double waterproof structure / IP65

*Secondary waterproof for LED and internal driver
*Primary waterproof for main body

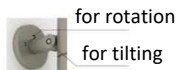
Two optional lens and filters can be installed

Flat surface with no water puddle even with upward lighting

Tilting angle scale



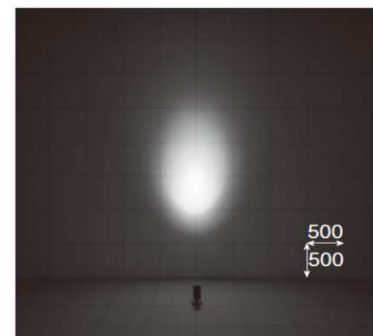
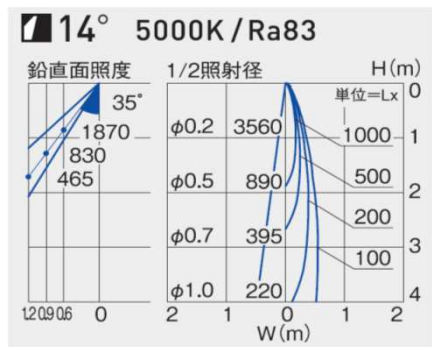
Lock function



for rotation

for tilting

Glareless black baffle mechanism realizing 40° cut-off angle



Luminaire position
900mm from wall, Tilting 35°

Accessories



Wide diffusion lens
LZA-92557



Spread lens
LZA-90571



Coldtone filter
LZA-90574



Honeycomb louver
LZA-92953



Flood lens
LZA-90572



Warmtone filter
LZA-90573



Hood
LLA-7118U