

Specification Sheet



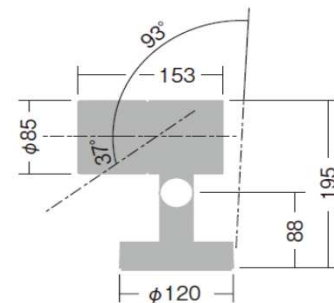
Luminaire Type : **Spot light** (Surface mounting/Flange type)

- Model Code**
- LLS-7000WUME** 5000K
 - LLS-7000NUME** 4000K
 - LLS-7000YUME** 3000K
 - LLS-7000LUME** 2700K



■ Technical Data

- Dimension** : D.85/L.153/H.195mm
Weight : 2.1 Kg
Light source : LED
Wattage : 6.1W
Lumen, Color temp. : 310Lm(5000K)/305Lm(4000K)
 300Lm(3000K)/285Lm(2700K)
Beam angle : 14°
CRI : 83
Protection Class(IP) : IP65



■ Component & Information

- Aluminum die-casting body, marine-grade painting with stainless color
 Tempered glass cover, clear
 Optical control lens
 *Internal LED driver for 100~242V, Non-dimmable
 *Two optional accessories can be used together.

■ Feature

Ruggedness to withstand harsh environments, and complete straight cylinder shape to harmonize with the appearance

Double waterproof structure / IP65

- *Secondary waterproof for LED and internal driver
- *Primary waterproof for main body

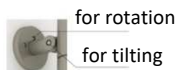
Two optional lens and filters can be installed

Flat surface with no water puddle even with upward lighting

Tilting angle scale



Lock function



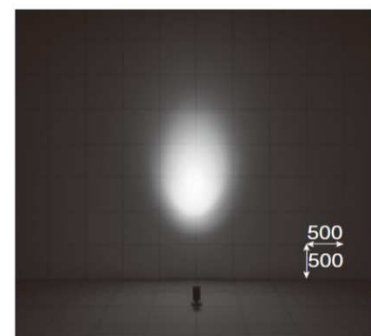
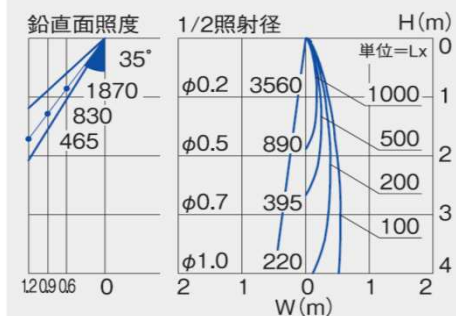
for rotation

for tilting

Glareless black baffle mechanism realizing 40° cut-off angle



■ 14° 5000K / Ra83



Luminaire position
900mm from wall, Tilting 35°

■ Accessories



Wide diffusion lens
LZA-92557



Spread lens
LZA-90571



Coldtone filter
LZA-90574



Honeycomb louver
LZA-92953



Flood lens
LZA-90572



Warmtone filter
LZA-90573



Hood
LLA-7118U