

Specification Sheet



Luminaire Type : Bollard light

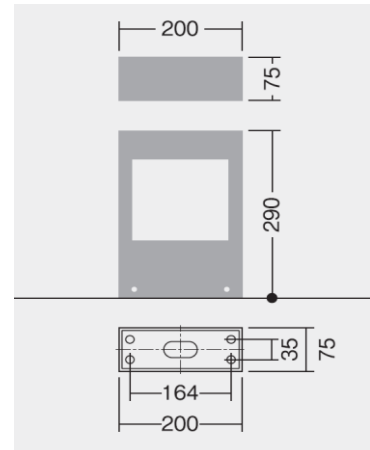
Model Code

<input type="checkbox"/> LLP-7128LU	2700K
<input type="checkbox"/> LLP-7128YU	3000K
<input type="checkbox"/> LLA-7129U	Recessed mounting base
<input type="checkbox"/> LLA-7130U	Mounting plate



■Technical Data

Dimension : W.200/D.75/H.290mm
Weight : 2.0 Kg
Light source : LED
Wattage : 9W
Lumen, Color temp. : 375Lm(2700K)/390Lm(3000K)
CRI : 83
Protection Class(IP) : IP65



■Component & Inform: Stainless steel

Aluminum casting body, marine-grade painting with stainless color
 Light control lens, Acrylic panel
 Stainless steel mounting base, stainless color painting
 *Internal LED driver for 100~242V, Non-dimmable

■Feature

Marine-grade painting finish
 salt resistant material and surface treatment

Dedicated original lens
 It is a dedicated lens that spreads uniform light efficiently on both sides. One side can be shielded by the attached parts.

Internal LED driver
 Non-dimmable
 100~242V AC

