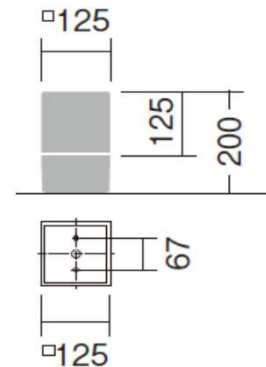


Luminaire Type : Bollard light

Model Code **LLP-7020WUE** 5000K
 LLP-7020LUE 2700K

■ Technical Data

Dimension : Sq.125/H.200mm
Weight : 2.0kg
Light source : LED
Wattage : 8.0 W
Lumen, Color temp. : 510Lm(5000K)/465Lm(2700K)
CRI : 83
Protection Class(IP) : IP65

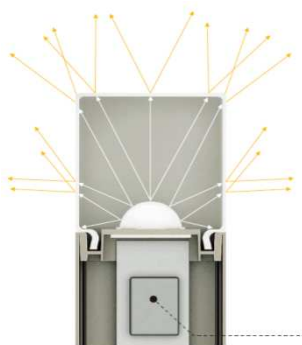


■ Component & Information

Aluminum die-casting luminaire body,
 marine-grade painting with stainless color
 Milky-white cubic glass inner frosted, sharp edge finish
 Polycarbonate dome design diffuser for LED module
 *Internal LED driver for 100~242V, Non-dimmable
 *Surface mounting

■ Feature

Cube-shaped glass has a sharp impression square pole light. Provide soft light in various spaces with many height variations.



Uniform light emitting LED light source

Using a highly extensible light source module, the entire surface of the cubic glass uniformly emits light without unevenness of luminance.

Compact size waterproof LED driver

Enhanced moisture proof performance by resin filling.



Dedicated glass with less thickness difference

While pursuing the sharpness of the corner to the limit, we developed a glass that passed the strength standard. It reduces uneven thickness and makes it less prone to accumulation of light, and it is nice looking texture even when it is off the light.

Design where seams are inconspicuous

Even when combining two different materials, extrusion aluminum and acrylic, the seams are inconspicuous, and finished in a straight square column with aligned surfaces.

H200mm 5000K / CRI.83

