

# Specification Sheet



**Luminaire Type** : Bollard light

**Model Code**

<input type="checkbox"/> LLP-7019WUE	5000K
<input type="checkbox"/> LLP-7019LUE	2700K
<input checked="" type="checkbox"/> LLA-7009U	Recessed pole H300

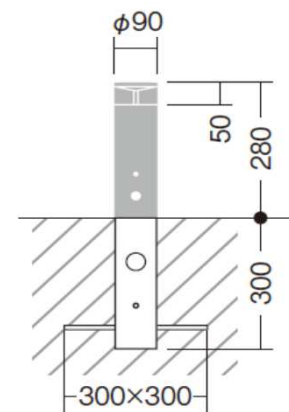


## Technical Data

<b>Dimension</b>	: D.90/H.280mm
<b>Weight</b>	: 1.8kg
<b>Light source</b>	: LED
<b>Wattage</b>	: 8.0 W
<b>Lumen, Color temp.</b>	: 260Lm(5000K)/230Lm(2700K)
<b>CRI</b>	: 83
<b>Protection Class(IP)</b>	: IP65

## Component & Information

Aluminum die-casting luminaire body, Aluminum extrusion tube pole  
 marine-grade painting with stainless color  
 Clear solid acrylic cylinder, hollow inner partly frosted  
 \*Internal LED driver for 100~242V, Non-dimmable  
 \*Ground recessed mounting pole.



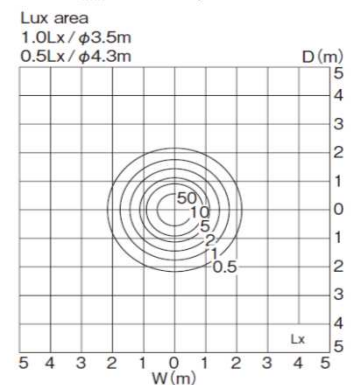
## Feature

Beautiful low pole light of cutting solid acrylic with excellent weather resistance. It illuminates a soft light controlled light distribution from a cylindrical body assembled with high accuracy.

TRANSPARENT EMITTER POLE LIGHT (Downward Light Distribution type)



**H280mm 5000K / CRI.83**



### Light source installed on thin top

By setting the position of the light source at the top, light is efficiently emitted at the feet while suppressing direct brightness.

### A dedicated glove that shaved out acrylic solid

Adopted acrylic material with excellent weather resistance. It has a hard coat and is resistant to scratches, realizing a uniform and distortion-free light emitter even though it is thick by solid shaving processing.

### Straight cylindrical shape with seams not conspicuous

Even when combining two different materials, extrusion aluminum and acrylic, the seams are inconspicuous, and finished in a straight cylindrical shape with aligned surfaces.