

# Specification Sheet



**Luminaire Type** : Ground light

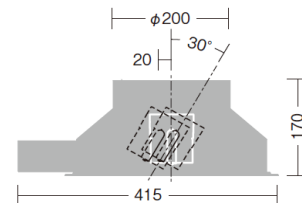
**Model Code**     **LLG-7134LUW**    2700K  
 **LLG-7134YUW**    3000K



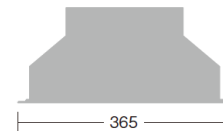
## Technical Data

**Dimension** : W.365/L.415/H.170mm  
**Weight** : 7.0kg  
**Light source** : LED  
**Wattage** : 14.5W  
**Lumen, Color temp.** : 1060Lm(2700K)/1100Lm(3000K)

**Beam angle** : 25°  
**CRI** : 83  
**Protection Class(IP)** : IP67



Inner luminaire available rotation 350°



## Component & Information

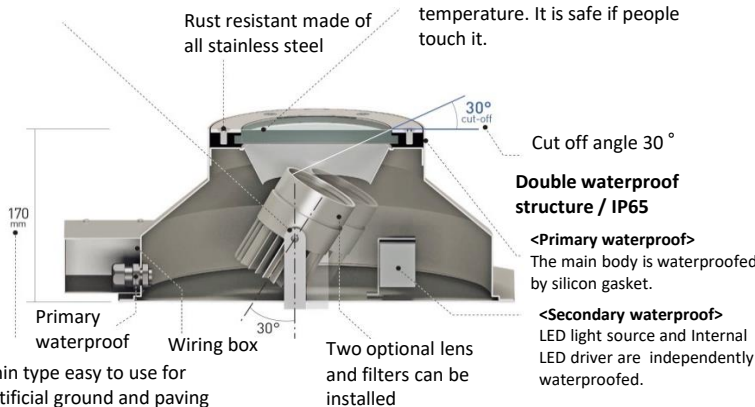
Stainless steel housing, marine-grade black color painting  
 Aluminum reflector cone, chemical polishing  
 Stainless steel trim, hairline finish, Tempered glass cover, clear  
 Aluminum die-casting inner luminaire, with optical control lens

- \*Internal LED driver for 100~242V, Non-dimmable
- \*Two optional accessories can be used together.
- \*Non-slip processing of glass is available by custom order.
- \*Do not use in places to load such as vehicles.
- \*Do construction work on drainage treatment.

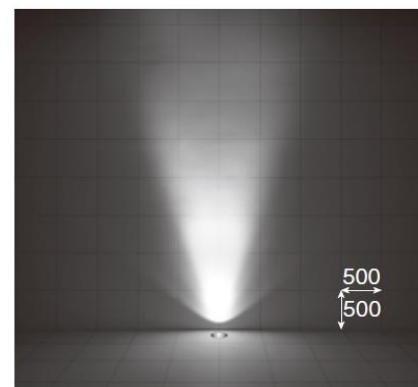
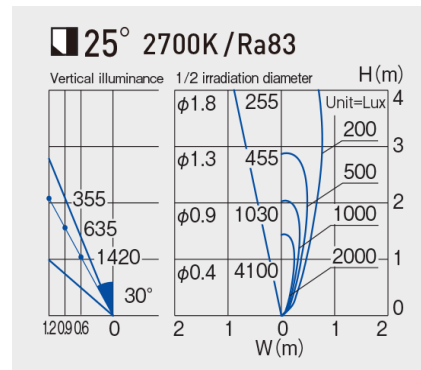
## Feature

The inner luminaire is adjustable 20mm slide and 30° tilting even after installation.

The surface temperature of the glass is set lower than 50° below the conventional temperature. It is safe if people touch it.



This type easy to use for artificial ground and paving area



Luminaire position: 200mm from wall

## Accessories
