

Specification Sheet



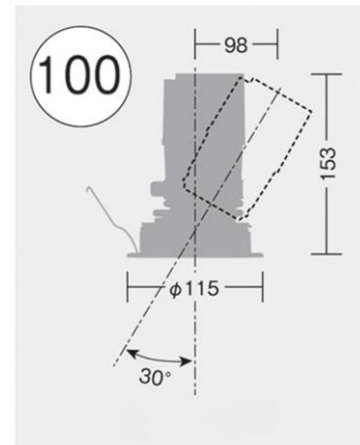
Luminaire Type : Adjustable Downlight

Model Code : **LLD-7088AUM** 3500K
LLD-7088LUM 2700K
LLD-7088YUM 3000K



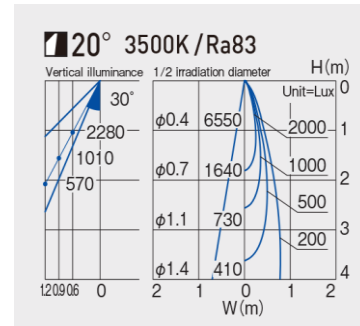
Technical Data

Dimension : D.115/H.153mm
Weight : 0.7 Kg
Light source : LED
Wattage : 23.6 W
Lumen : 1100Lm(3500K)/1030Lm(2700K)
 1070Lm(3000K)
Color temperature : 3500 K
Beam angle : 20 °
CRI : 83
Protection Class(IP) : IP44



Component & Information

Aluminum die-casting trim, marine-grade painting with stainless color
 Aluminum die-casting heatsink, Stainless steel fixture
 Silicon accordion black gasket, Plastic cone chrome plating
 Optical control lens, Tempered glass cover, clear
 *Glare cut-off angle: 35°
 *Ceiling cut-out hole: Dia.100mm
 *Available ceiling board: t5~25mm
 *Remote LED driver is required.



Feature

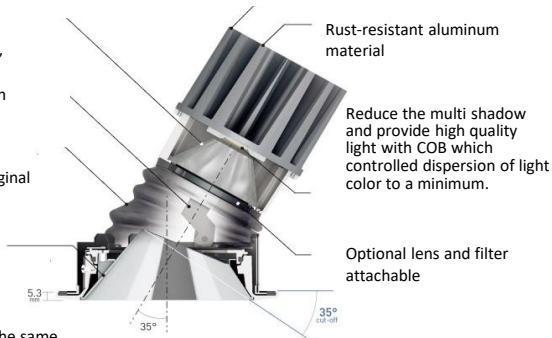
Light distribution control by optical lens

Effective heat sink even with miniaturization of 65% compared with conventional products

Even a small diameter, it is able to 35° tilting by design of shifting an axis point.

Complete waterproof performance with original gasket.

The seven-layer finished cone for outdoor is excellent in weather resistance. Our glareless cone is the same level as automobile parts realizes high quality light even under harsh environments.



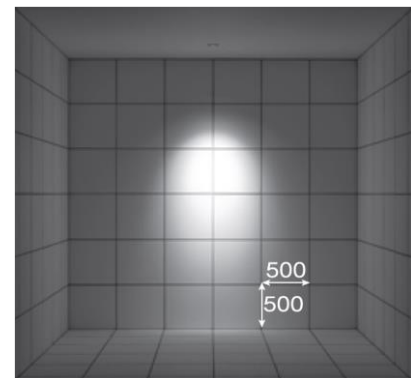
Rust-resistant aluminum material

Reduce the multi shadow and provide high quality light with COB which controlled dispersion of light color to a minimum.

Optional lens and filter attachable

Coverless bottom

By providing the protective glass at inside, there is no cover on the bottom surface of the fixture, it will not be fogged due to the influence of the temperature environment and dirt on aging can be suppressed.



Luminaire position:
900mm from wall, CH3000

Accessories



Wide diffusion lens
LZA-92557



Spread lens
LZA-90571



Coldtone filter
LZA-90574



Honeycomb louver
LZA-92953



Flood lens
LZA-90572



Warmtone filter
LZA-90573