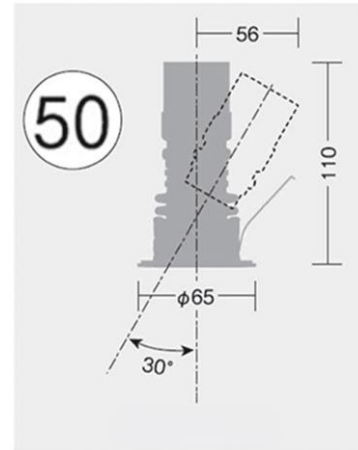


Luminaire Type : Adjustable Downlight

Model Code : **LLD-7086AUM** 3500K
LLD-7086LUM 2700K
LLD-7086YUM 3000K

■ Technical Data

Dimension	: D.65/H.110mm
Weight	: 0.5 Kg
Light source	: LED
Wattage	: 11.4 W
Lumen	: 290Lm(3500K)/275Lm(2700K) 285Lm(3000K)
Color temperature	: 3500 K
Beam angle	: 17 °
CRI	: 83
Protection Class(IP)	: IP44



■ Component & Information

- Aluminum die-casting trim, marine-grade painting with stainless color
- Aluminum die-casting heatsink, Stainless steel fixture
- Silicon accordion black gasket, Plastic cone chrome plating
- Optical control lens, Tempered glass cover, clear
- *Glare cut-off angle: 35°
- *Ceiling cut-out hole: Dia.50mm
- *Optional accessories are not available
- *Available ceiling board: t5~25mm
- *Remote LED driver is required.

■ Feature

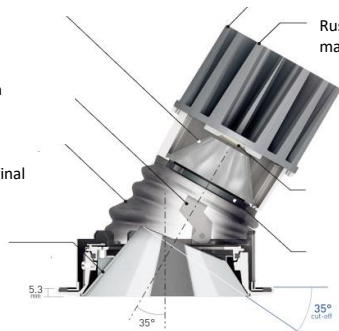
Light distribution control by optical lens

Effective heat sink even with miniaturization of 65% compared with conventional products

Even a small diameter, it is able to 35° tilting by design of shifting an axis point.

Complete waterproof performance with original gasket.

The seven-layer finished cone for outdoor is excellent in weather resistance. Our glareless cone is the same level as automobile parts realizes high quality light even under harsh environments.

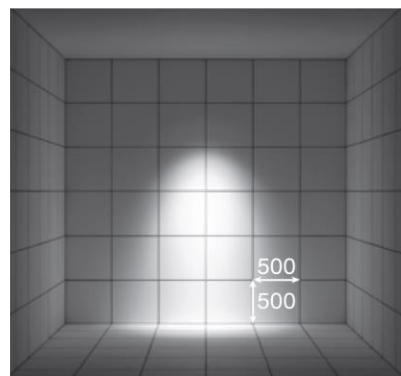
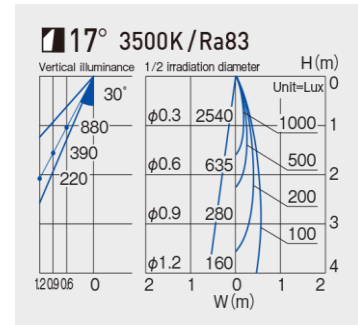


Rust-resistant aluminum material

Reduce the multi shadow and provide high quality light with COB which controlled dispersion of light color to a minimum.

Coverless bottom

By providing the protective glass at inside, there is no cover on the bottom surface of the fixture, it will not be fogged due to the influence of the temperature environment and dirt on aging can be suppressed.



Luminaire position:
900mm from wall, CH3000