

**Luminaire Type** : Downlight

**Model Code** : **LLD-7085AUB** 3500K  
**LLD-7085LUB** 2700K  
**LLD-7085YUB** 3000K

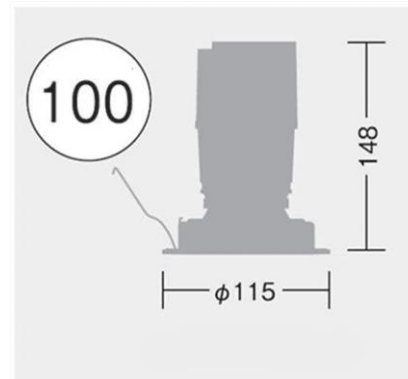
**Technical Data**

**Dimension** : D.115/H.148mm  
**Weight** : 1.0 Kg

**Light source** : LED  
**Wattage** : 23.6 W  
**Lumen** : 1930Lm(3500K)/1810Lm(2700K)  
 1870Lm(3000K)

**Color temperature** : 3500 K  
**Beam angle** : 50 °  
**CRI** : 83

**Protection Class(IP)** : IP44



**Component & Information**

Aluminum die-casting trim, marine-grade painting with stainless color  
 Aluminum die-casting heatsink, Stainless steel fixture  
 Plastic cone chrome plating, Aluminum mirror reflector  
 Tempered glass cover, clear

\*Glare cut-off angle: 35°  
 \*Ceiling cut-out hole: Dia.100mm  
 \*Optional accessories are available at factory by custom-order.  
 \*Available ceiling board: t5~25mm  
 \*Remote LED driver is required.

**Feature**

Reduce the multi shadow and provide high quality light with COB which controlled dispersion of light color to a minimum.

Effective heat sink even with miniaturization of 65% compared with conventional products

Rust-resistant aluminum material

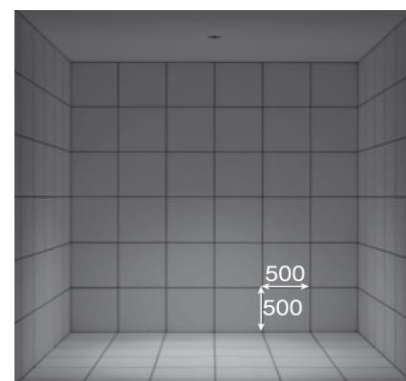
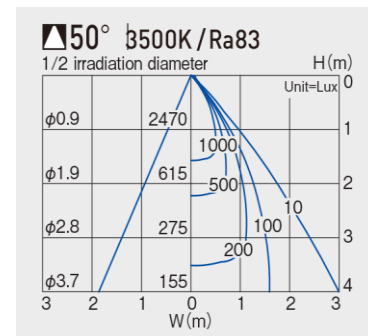
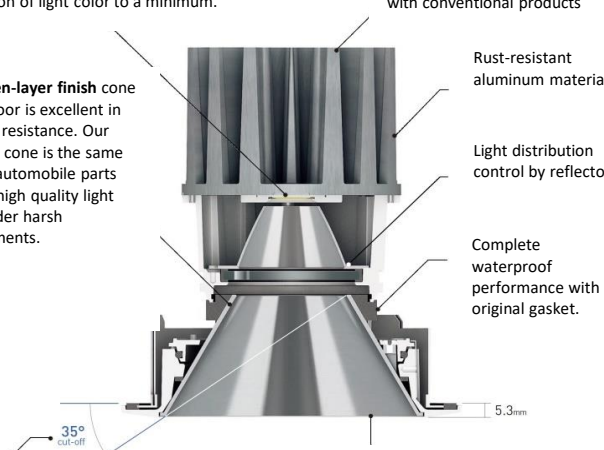
Light distribution control by reflector

Complete waterproof performance with original gasket.

The seven-layer finish cone for outdoor is excellent in weather resistance. Our glareless cone is the same level as automobile parts realizes high quality light even under harsh environments.

Cut off angle 35°  
 Reflector designed to not produce unpleasant light not only by primary reflection but also by secondary reflection.

Coverless bottom  
 By providing the protective glass at inside, there is no cover on the bottom surface of the fixture, it will not be fogged due to the influence of the temperature environment and dirt on aging can be suppressed.



Luminaire position:  
 1500mm from wall, CH3000