

Luminaire Type : Adjustable Downlight

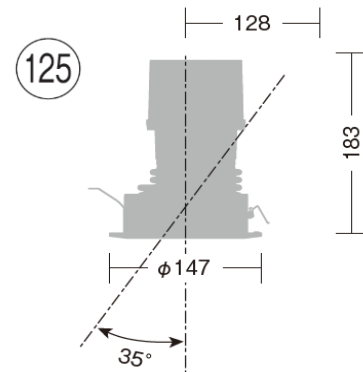
Model Code : LLD-7061AUN 3500K
 LLD-7061LUN 2700K
 LLD-7061YUN 3000K

Technical Data

Dimension : D.147/H.183mm
Weight : 1.4kg

Light source : LED
Wattage : 25W
Lumen : 1080Lm(3500K)/1010Lm(2700K)
 1050Lm(3000K)

Color temperature : 3500 K
Beam angle : 11°
CRI : 83
Protection Class(IP) : IP44



Component & Information

Aluminum die-casting trim, marine-grade painting with stainless color
 Aluminum die-casting heatsink, Stainless steel fixture
 Silicon accordion black gasket, Plastic cone chrome plating
 Optical control lens, Tempered glass cover, clear

*Glare cut-off angle: 35°
 *Ceiling cut-out hole: Dia.125mm
 *Available ceiling board: t5~25mm
 *Remote LED driver is required.

Feature

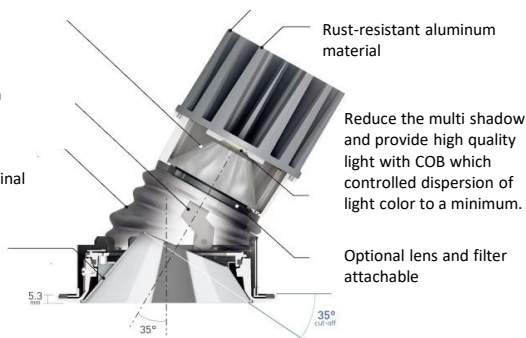
Light distribution control by optical lens

Effective heat sink even with miniaturization of 65% compared with conventional products

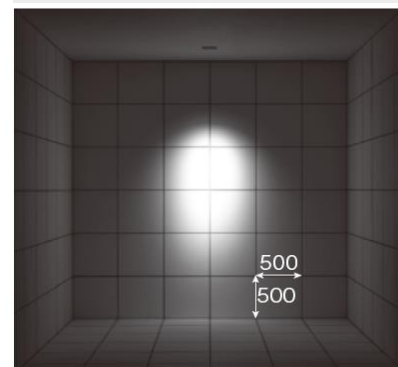
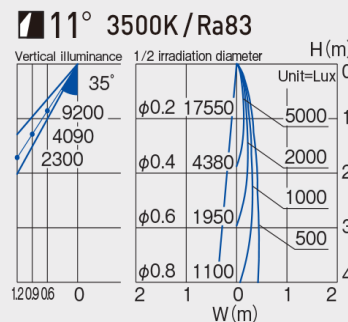
Even a small diameter, it is able to 35° tilting by design of shifting an axis point.

Complete waterproof performance with original gasket.

The seven-layer finished cone for outdoor is excellent in weather resistance. Our glareless cone is the same level as automobile parts realizes high quality light even under harsh environments.



Coverless bottom
 By providing the protective glass at inside, there is no cover on the bottom surface of the fixture, it will not be fogged due to the influence of the temperature environment and dirt on aging can be suppressed.



Luminaire position: 1500mm from wall, CH3000

Accessories

- Wide diffusion lens
LZA-92558
- Spread lens
LZA-90435
- Coldtone filter
LZA-90439
- Honeycomb louver
LZA-92954
- Flood lens
LZA-90635
- Warmtone filter
LZA-90437