

Specification Sheet



Luminaire Type : Bollard light

Model Code LLP-7152LU
 LLA-7173U

Recessed pole H300

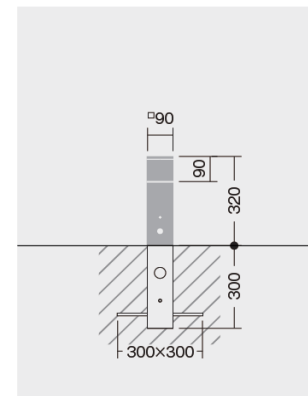


Technical Data

Dimension : D.90/H.320mm
Weight : 2.8 Kg
Light source : LED
Wattage : 8.0 W
Lumen, Color temp. : 495 Lm(2700K)
CRI : 83
Protection Class(IP) : IP65

Component & Information

Aluminum die-casting luminaire body, Aluminum extrusion tube pole
 marine-grade painting with stainless color
 Clear solid acrylic cylinder, hollow inner frosted
 *Internal LED driver for 100~242V, Non-dimmable
 *Ground recessed mounting pole.

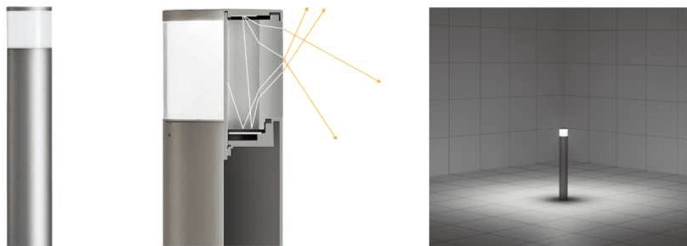


Feature

Beautiful low pole light of cutting solid acrylic with excellent weather resistance. It illuminates a soft light controlled light distribution from a cylindrical body assembled with high accuracy.

STANDARD POLE LIGHT (General Diffusion type)

It efficiently diffuses light and illuminates the passage and the surrounding landscape brightly.



H320mm 2700K / Ra83

