

Specification Sheet



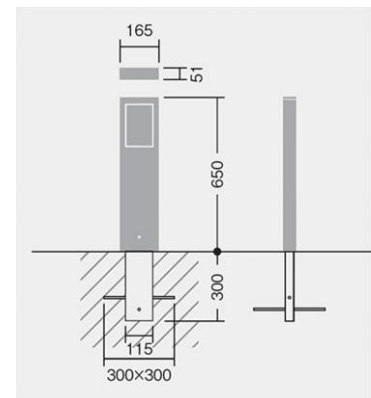
Luminaire Type : Bollard light

- Model Code**
- LLP-7158LU 2700K
 - LLP-7158YU 3000K
 - LLA-7033U Recessed mounting base
 - LLA-7034U Plate mounting base



Technical Data

- Dimension** : W.165/D.51/H.650mm
Weight : 5.3 kg
Light source : LED
Wattage : 8.3 W
Lumen, Color temp. : 320 Lm(2700K)/335 Lm(3000K)
CRI : 83
Protection Class(IP) : IP65



Component & Information

- Aluminum casting body, marine-grade painting with stainless color
- Light control lens, Acrylic panel
- Stainless steel mounting base, stainless color painting
- *Internal LED driver for 100~242V, Non-dimmable

Feature

Marine-grade painting finish
salt resistant material
and surface treatment

Internal LED driver
Non-dimmable
100~242V AC

Dedicated original lens

It is a dedicated lens that spreads uniform light efficiently on both sides. One side can be shielded by the attached parts.

