

Specification Sheet



Luminaire Type : Bollard light

Model Code

<input type="checkbox"/> LLP-7157LU	2700K
<input type="checkbox"/> LLP-7157YU	3000K
<input type="checkbox"/> LLA-7033U	Recessed mounting base
<input type="checkbox"/> LLA-7034U	Plate mounting base

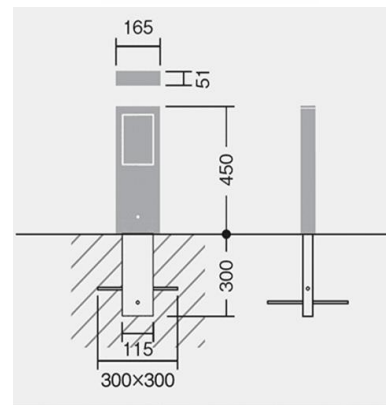


Technical Data

Dimension : W.165/D.51/H.450mm
Weight : 3.9 kg
Light source : LED
Wattage : 8.3 W
Lumen, Color temp. : 320 Lm(2700K)/335 Lm(3000K)
CRI : 83
Protection Class(IP) : IP65

Component & Information

Aluminum casting body, marine-grade painting with stainless color
 Light control lens, Acrylic panel
 Stainless steel mounting base, stainless color painting
 *Internal LED driver for 100~242V, Non-dimmable



Feature

