

Installation Manual

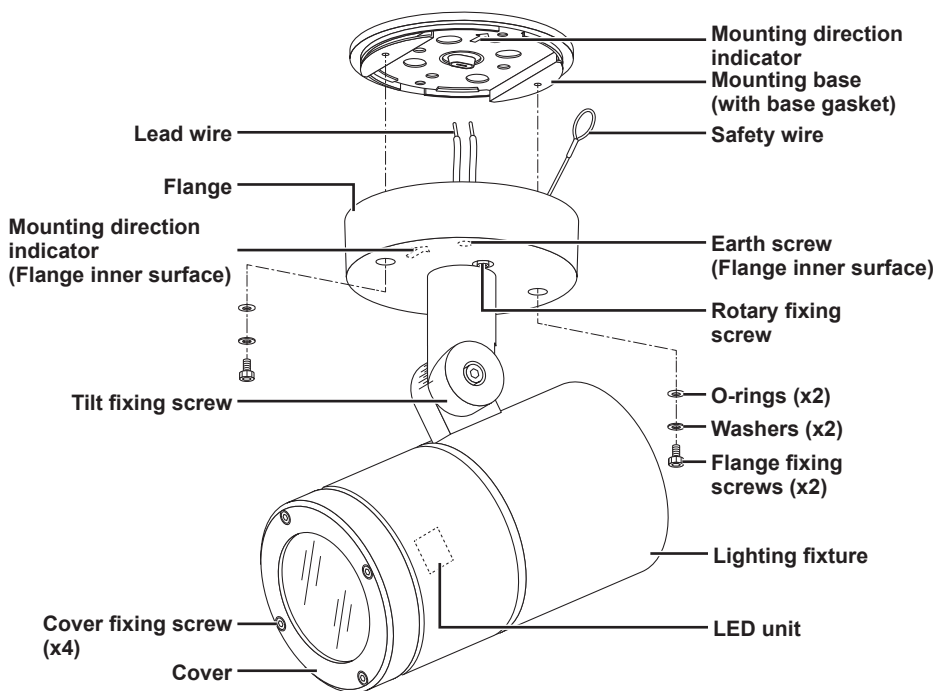
For outdoor installation
Flange-type spotlight

Model: LLS-7103LUM / LLS-7103YUM

- For outdoor installation (rainproof, moisture-proof, heavy-duty salt-resistant)
- For ceiling, wall and floor mounting
- Bolt mounting method
- With overheat protection function
- LED unit is non-replaceable
- Non-Dimmable

Name of parts

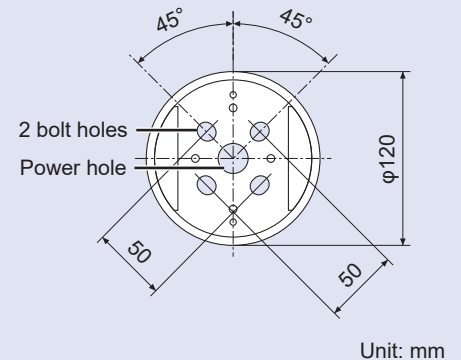
*The diagram below is a simplified illustration.



Enclosed parts

- Hexagonal wrench (S) (nominal size: 2.5) (x1)
- Hexagonal wrench (L) (nominal size: 4) (x1)

Mounting dimensions



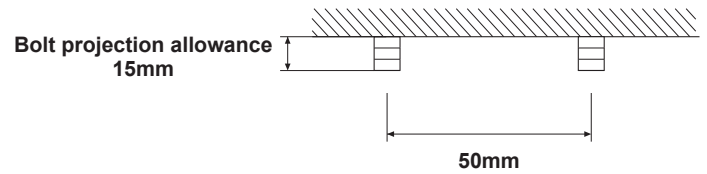
Precautions before Installation

- Install on a flat surface where the base gasket can adhere tightly.
- If the mounting surface is uneven, use sealing material to create a flat area larger than the base gasket.
- When installing fixtures on mounting surfaces with metal lath, wire lath, or metal sheets, use a separately sold insulation base to electrically insulate the mounting surface from the metal parts of the fixture.

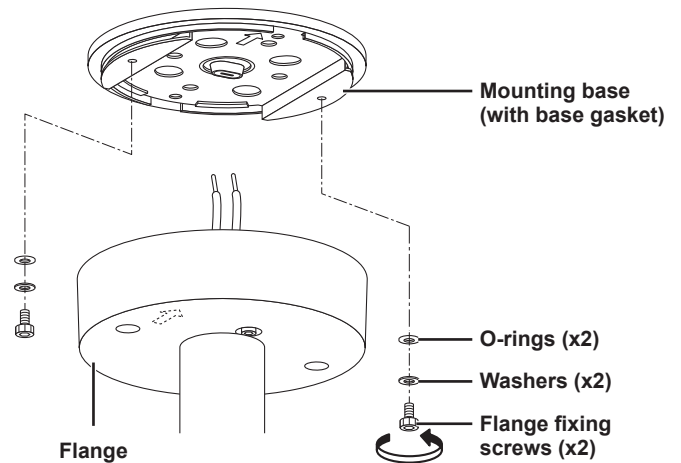
Installation Procedure

1 Check the mounting surface.

*Bolts are not included with the fixture. Please prepare M10 bolts separately.

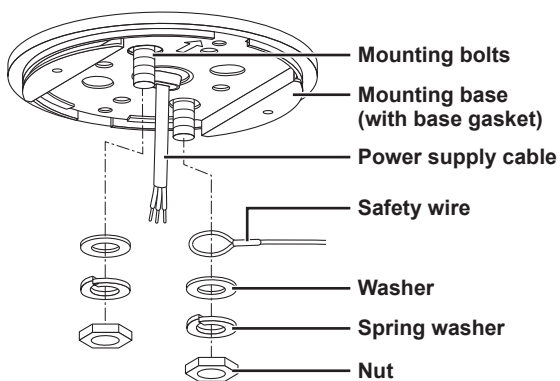


2 Remove the mounting base



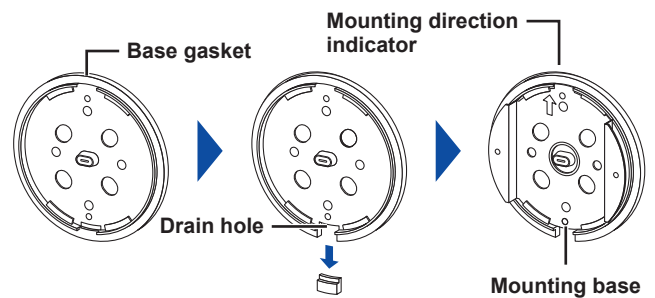
3 Install the mounting base.

*Washers, spring washers and nuts are not included with the fixture. Please prepare M10 washers, spring washers and nuts separately.

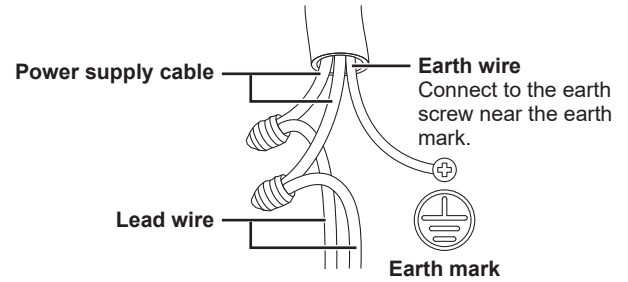


<For wall mounting>

● Attach the base gasket to the mounting base, and following the mounting direction indicator on the mounting base, install it according to step 3.



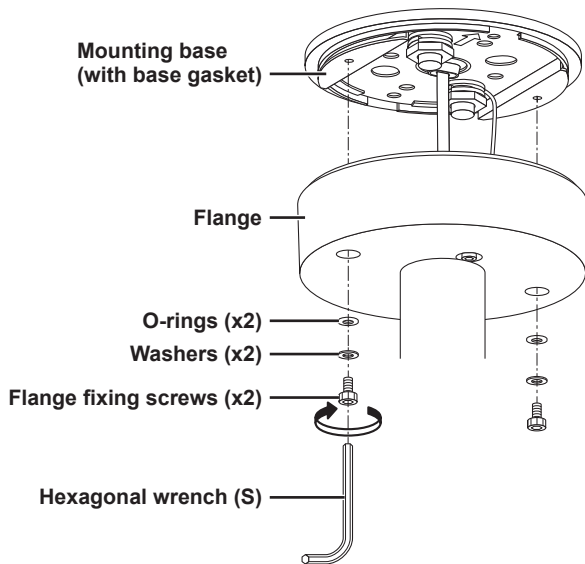
4 Connect the power supply cable. (Be sure to turn off the power before starting work.)



Warning

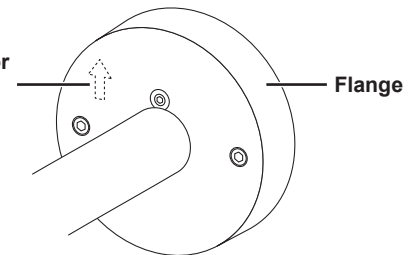
- After wiring, be sure to insulate and waterproof the wires properly. Incomplete wiring can cause fire, electric shock, poor insulation, and electrical leakage.

5 Attach the flange.



<For wall mounting>

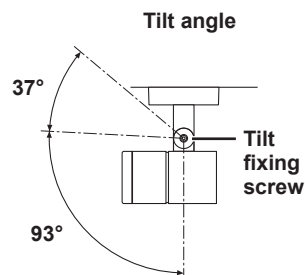
Mounting direction indicator
(Flange inner surface)



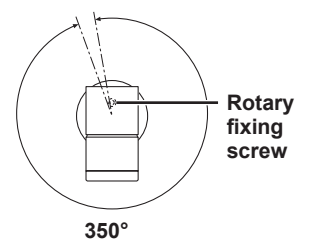
6 Adjust the light aiming angle.

- Loosen the tilt fixing screw with the hexagonal wrench (L), move the fixture to the desired position, then tighten the tilt fixing screw with the hexagonal wrench (L) to secure the fixture. (Recommended torque: 12 to 14 N m)
- Loosen the rotary fixing screw with the hexagonal wrench (S), move the fixture to the desired position, then tighten the rotary fixing screw with the hexagonal wrench (S) to secure the fixture.

● Range of movement



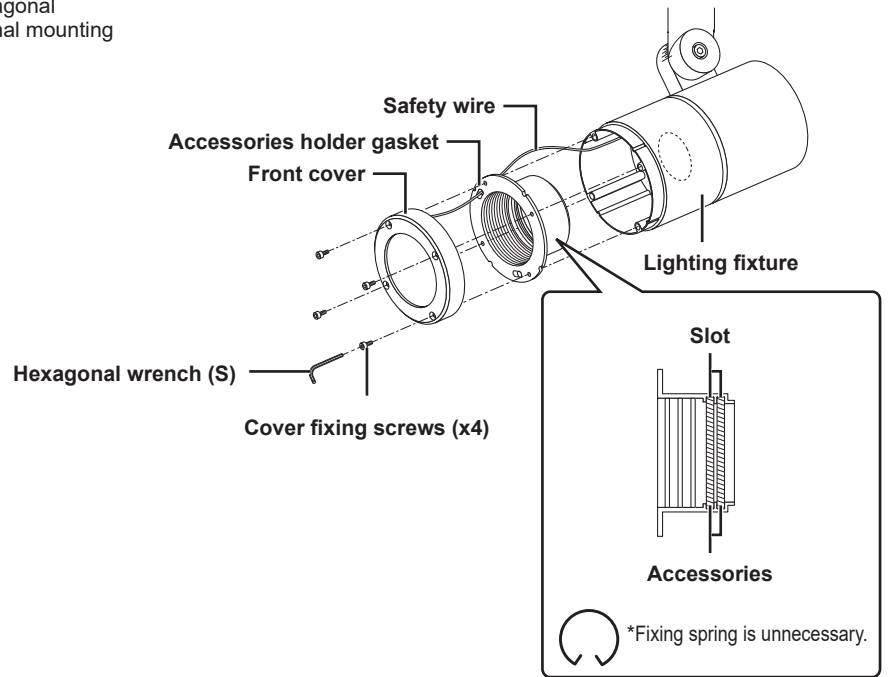
Rotation angle



7 Installation of optional accessories

- Remove the cover fixing screws (x4) with the hexagonal wrench (S), and remove the front cover and optional mounting gasket from the lighting fixture.

*Two lenses can be used together.



8 Installation of optional hood

- Loosen the hood fixing screws (x4) with the supplied hexagonal wrench, and remove the hood mounting gasket from the hood.
- Set the hood mounting gasket on the lighting fixture.

*Fit the hood mounting holder securely into the groove of the spotlight body.

- Set the hood on the lighting fixture.

*Cover the hood until the end touches the collar of the hood mounting holder.

- Firmly tighten and secure the hood fixing screws (x4) with the supplied hexagonal wrench.
- Wrap the safety wire around the arm and pass the snap clip through the wire.

<Hood (Sold separately)>

- Hood (LLA-7119U)

