

# Installation Manual

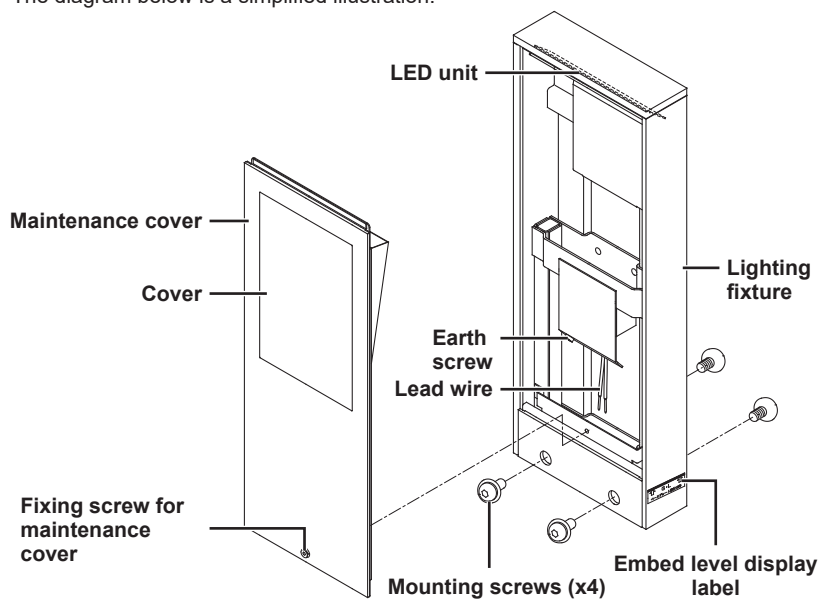
For outdoor installation  
Foot-wash bollard light

Model: LLP-7157LU / LLP-7157YU / LLP-7158LU / LLP-7158YU

- For outdoor installation (rainproof, moisture-proof, heavy-duty salt-resistant)
- For installation on the ground (Fixed/recessed dual-use)
- With overheat protection function
- LED unit is non-replaceable
- Non-Dimmable
- Cannot be used alone. Dual-use with compatible recessed mounting base or compatible base plate.

## Name of parts

\*The diagram below is a simplified illustration.

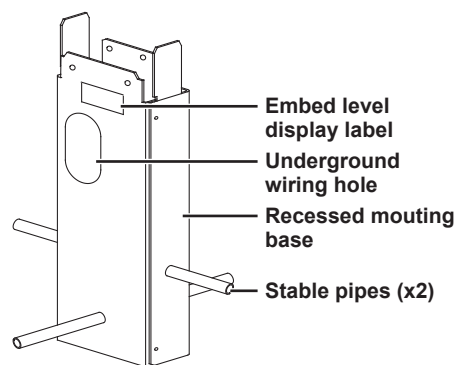


### Enclosed parts

- Mounting screws (x4)
- Hexagonal wrench (L) (nominal size: 3.0)
- Protective tubes (x2)
- Hexagonal wrench (S) (nominal size: 2.5)

### Compatible recessed mounting base (sold separately)

Model No. LLA-7033U

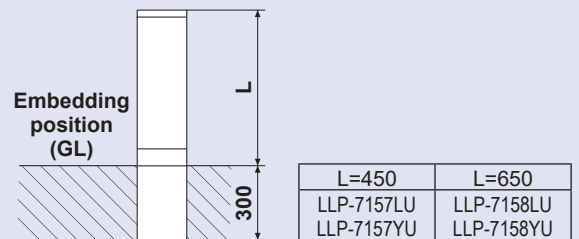


### Enclosed parts

- Stable pipes (x2)

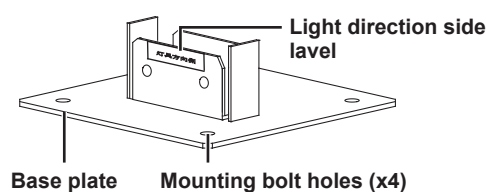
### Mounting dimensions

Unit: mm



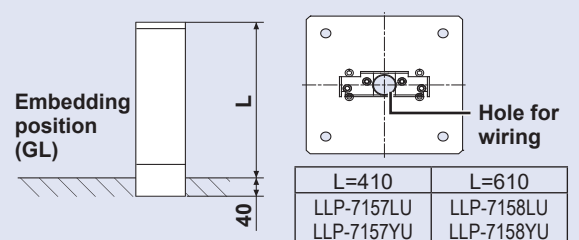
### Compatible base plate (sold separately)

Model No. LLA-7034U



### Mounting dimensions


Unit: mm



### Precautions before Installation

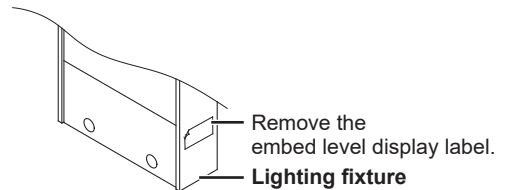
- During installation, make sure to follow the electrical equipment technical standards and the internal wiring regulations.
  - Use a conduit or similar method to protect the cable up to the underground wiring hole.
- \*The cable, cable and protective conduit are not included with the fixture. Please prepare these separately.
- Make sure to provide drainage.
  - Install the recessed mounting base in a location with solid subsoil and good drainage.

### Warning

 Do not install in the following locations. Doing so may cause insulation failure or tipping.

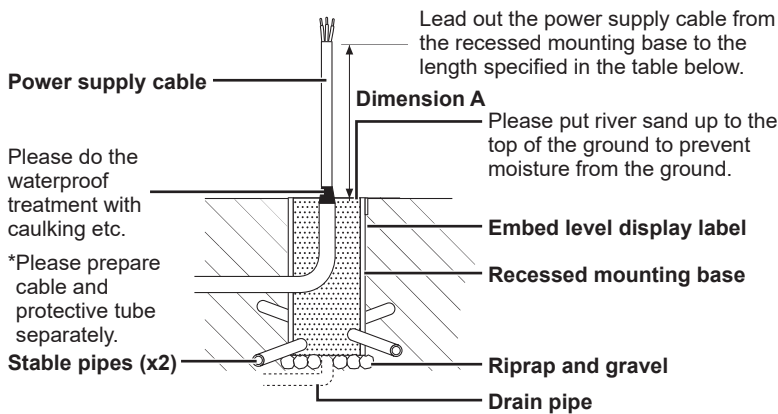
- Non-horizontal locations
- Locations with soft subsoil
- Locations at risk of flooding
- Locations where the fixture may be covered by vegetation

- The embed level display label of the lighting fixture is not needed; please remove it.

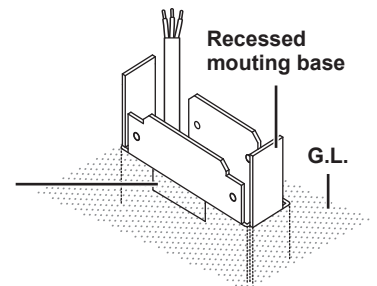


## 1 Embed the recessed mounting base.

\*Provide sufficient drainage to prevent water from accumulating inside the recessed mounting base.



The embed level display label side is in the illumination direction.

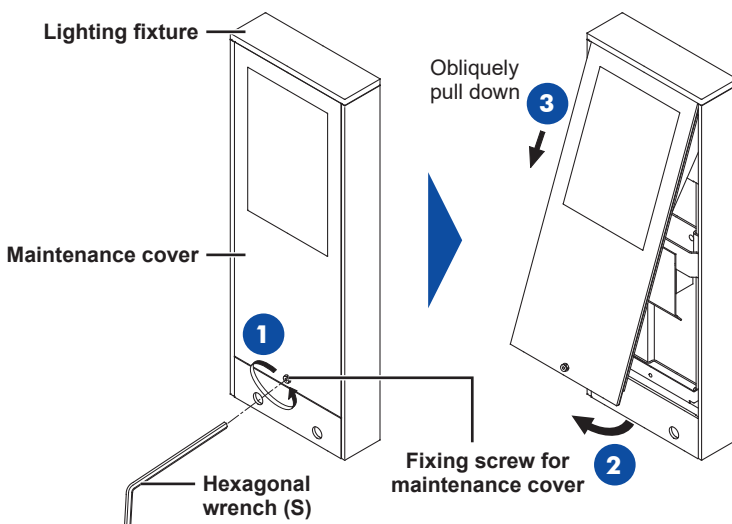


Dimension A	
LLP-7157LU / LLP-7157YU	LLP-7158LU / LLP-7158YU
300 mm	500 mm

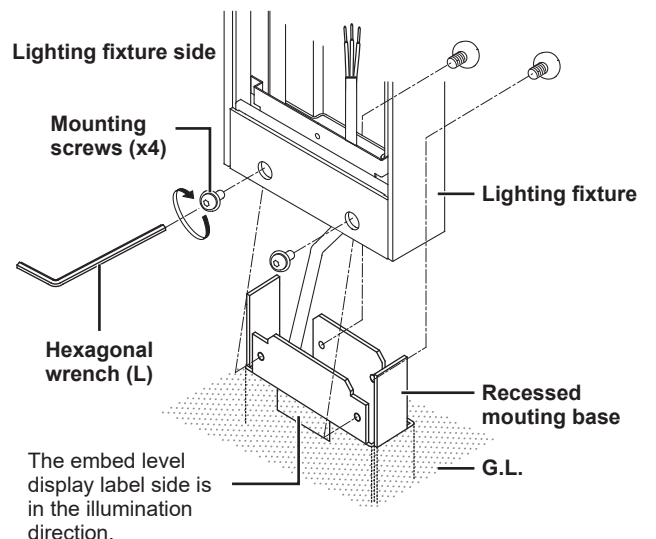
### Warning

If embedding is incomplete, it may cause insulation failure or tipping.

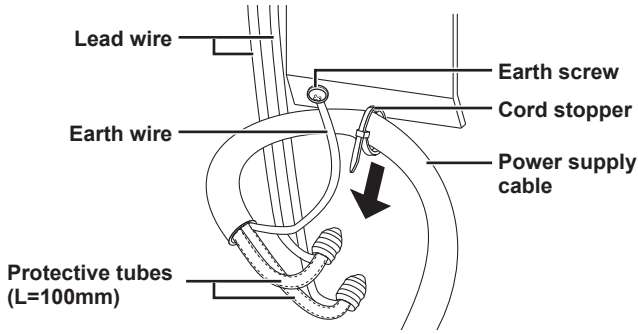
## 2 Remove the maintenance cover.



## 3 Install the lighting fixture.



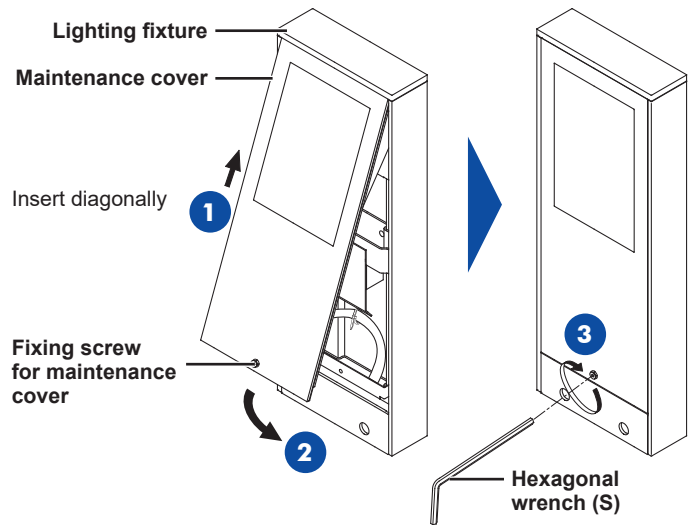
## 4 Connect the power supply cable. (Be sure to turn off the power before starting work.)



### Warning

- After wiring, be sure to insulate and waterproof the wires properly. Incomplete wiring can cause fire, electric shock, poor insulation, and electrical leakage.

## 5 Attach the maintenance cover.



## Installation Procedure

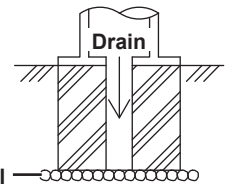
### Installation with base plate (Sold separately)

### Precautions before Installation

- During installation, make sure to follow the electrical equipment technical standards and the internal wiring regulations.
- Use a conduit or similar method to protect the cable up to the hole for wiring.

\*The cable, cable and protective conduit are not included with the fixture. Please prepare these separately.

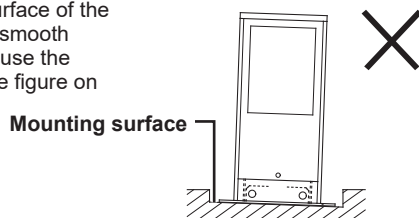
- Please thoroughly drain treatment in the pole.
- Install the base plate in a location with a solid substrate and good drainage.



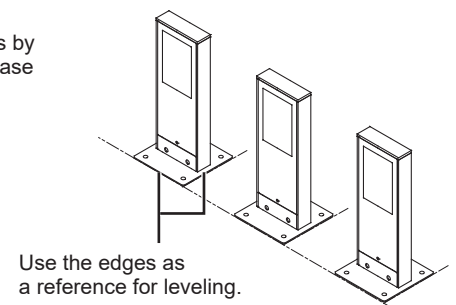
### Warning

- Do not install in the following locations. Doing so may cause insulation failure or tipping.
- Non-horizontal locations
  - Locations with soft subsoil
  - Locations at risk of flooding
  - Locations where the fixture may be covered by vegetation

- Make sure the mounting surface of the base plate has a level and smooth finish. Otherwise, it may cause the fixture to tilt as shown in the figure on the right.



- When installing multiple fixtures, level the fixtures by using the edges of the base plate as a reference.

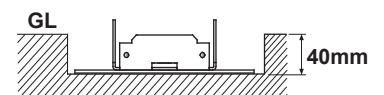
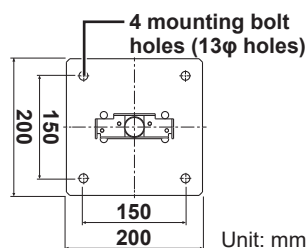
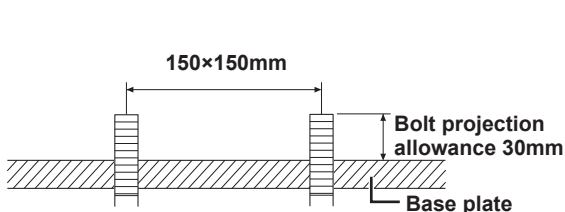


### Caution

- If the mounting surface is not level and smooth, it may cause tilting.
- If leveling is incomplete, it may result in an uneven installation orientation.

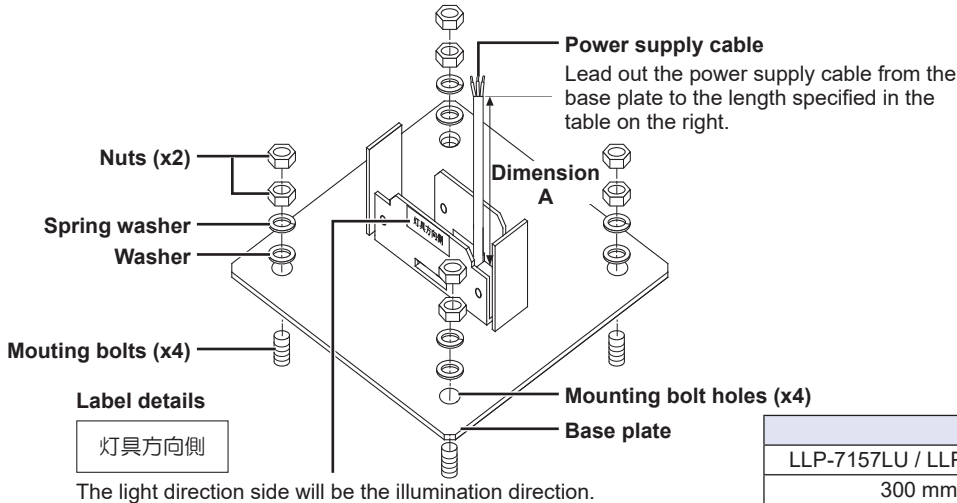
## 1 Check the mounting surface.

\*Bolts are not included with the base plate. Please prepare M10 mounting bolts separately.



## 2 Install base plate with mounting bolts.

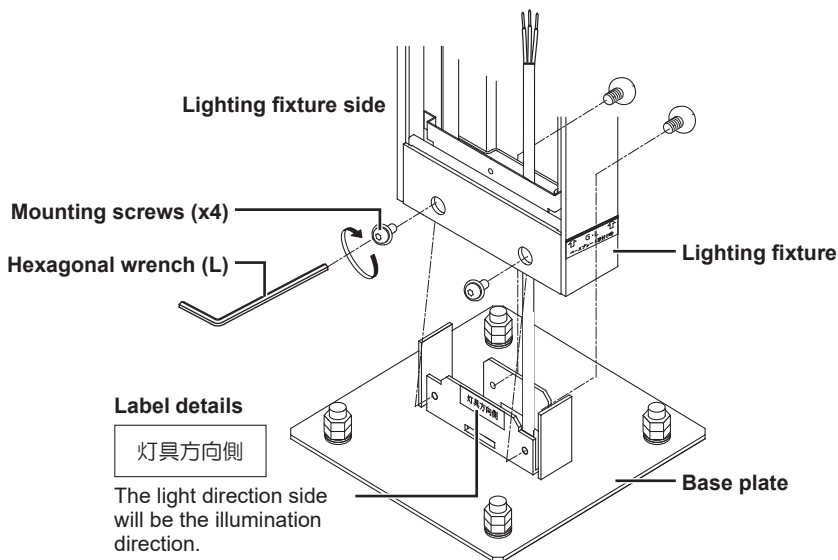
\*Washers, spring washers and nuts are not included with the fixture. Please prepare M10 washers, spring washers and nuts separately to match the bolts.  
\*Provide sufficient drainage to prevent water accumulation.



## 3 Remove the maintenance cover.

See P.02, Step 2.

## 4 Install the lighting fixture.



## 5 Connect the power supply cable. (Be sure to turn off the power before starting work.)

See P.03, Step 4.

## 6 Attach the maintenance cover.

See P.03, Step 5.

## 7 Embed the lighting fixture in the ground.

