

Installation Manual

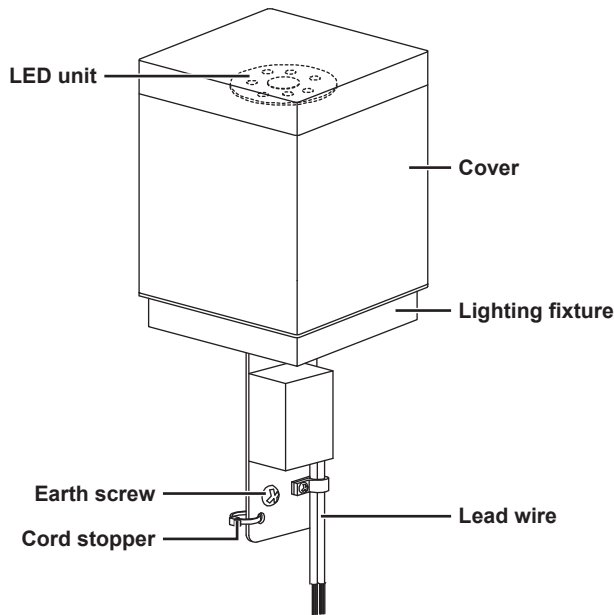
For outdoor installation
Pole lighting fixture

Model: LLP-7152LU / LLP-7153LU

- For outdoor installation (rainproof, moisture-proof, heavy-duty salt-resistant)
- For installation on the ground (Fixed/recessed dual-use)
- With overheat protection function
- LED unit is non-replaceable
- Non-Dimmable
- Cannot be used alone. For compatible poles

Name of parts

*The diagram below is a simplified illustration.



Enclosed parts



Lighting fixture fixing screws (x4)



Hexagonal wrench (nominal size: 2 mm)
(x1)

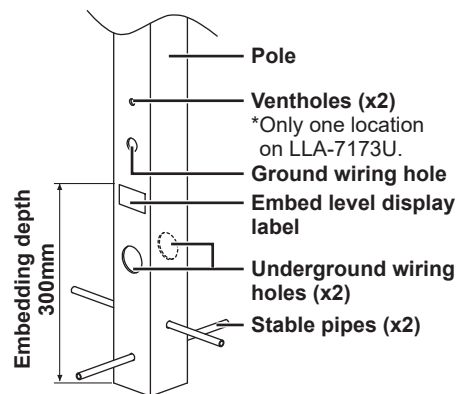
Embedded pole (Sold separately)

● LLP-7152LU

Model No. LLA-7173U (L=320)
LLA-7174U (L=520)
LLA-7175U (L=820)

● LLP-7153LU

Model No. LLA-7173U (L=280)
LLA-7174U (L=480)
LLA-7175U (L=780)



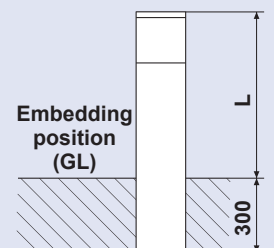
Enclosed parts



Stable pipes (x2)

Mounting dimensions

Unit: mm



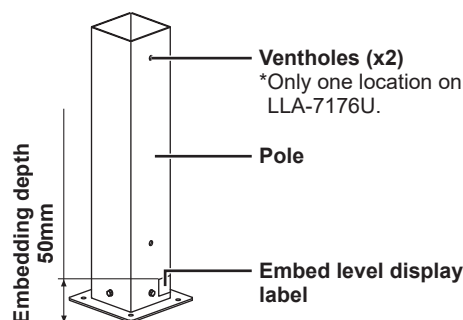
Base plate pole (Sold separately)

● LLP-7152LU

Model No. LLA-7176U (L=320)
LLA-7177U (L=520)
LLA-7178U (L=820)

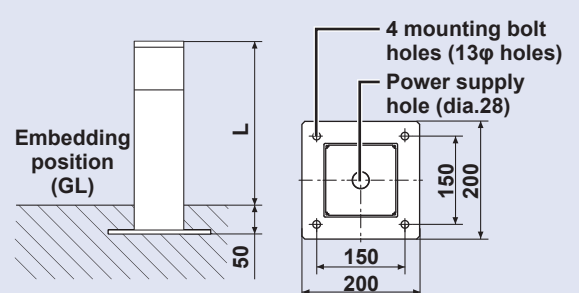
● LLP-7153LU

Model No. LLA-7176U (L=280)
LLA-7177U (L=480)
LLA-7178U (L=780)



Mounting dimensions

Unit: mm




Precautions before Installation

- During installation, make sure to follow the electrical equipment technical standards and the internal wiring regulations.
- For above-ground wiring, route through the ground wiring hole using a cable or the like.
- For underground wiring, use a conduit or similar method to protect the cable up to the underground wiring hole.

*The cable, cable and protective conduit are not included with the fixture. Please prepare these separately.

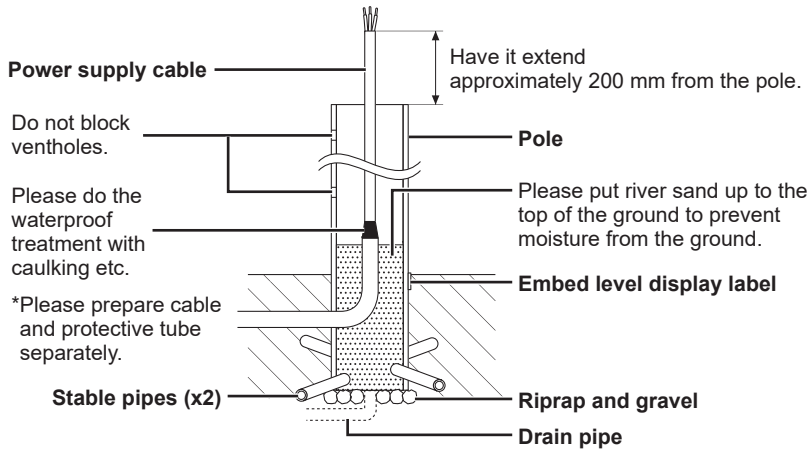
- Make sure to provide drainage.
- Install the pole in a location with solid subsoil and good drainage.

Warning

-  Do not install in the following locations. Doing so may cause insulation failure or tipping.
- Uneven ground
 - Locations with soft subsoil
 - Locations at risk of flooding
 - Locations where the fixture may be covered by vegetation

1 Embed the pole in the ground.

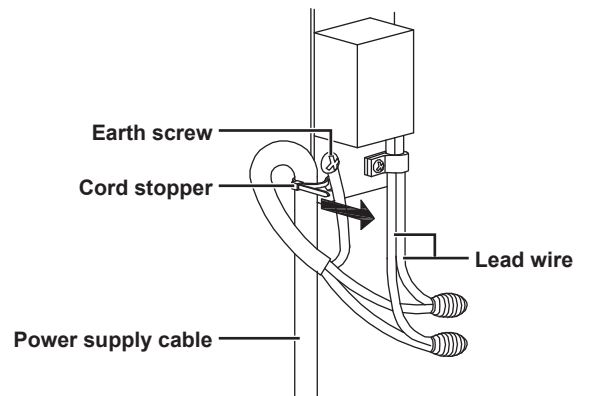
- *Make sure that the ventholes are not obstructed.
- *Provide sufficient drainage to prevent water from accumulating inside the pole.



Warning

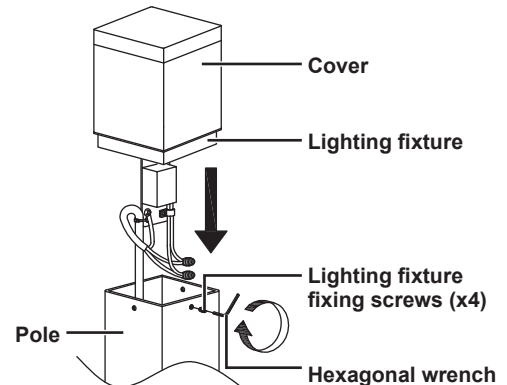
If embedding is incomplete, it may cause insulation failure or tipping.

2 Connect the power supply cable. (Be sure to turn off the power before starting work.)



3 Install the lighting fixture.

- *Check the cover for abnormalities such as cracks, breaks, or chips.

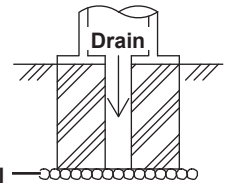


Precautions before Installation

- During installation, make sure to follow the electrical equipment technical standards and the internal wiring regulations.
- Use a conduit or similar method to protect the power supply cable up to the power hole on the base plate.

*The power supply cable, cable protective conduit, bolts, nuts, washers and spring washers are not included with the fixture. Please prepare these separately.

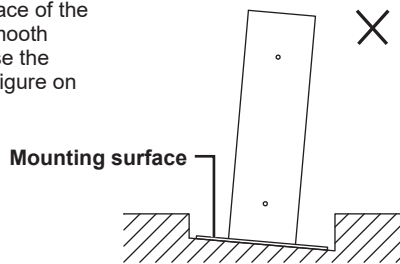
- Please thoroughly drain treatment in the pole.
- Install the pole in a location with solid subsoil and good drainage.



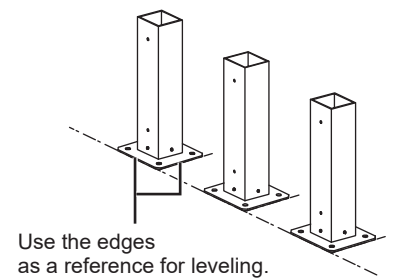
Warning

- Do not install in the following locations. Doing so may cause insulation failure or tipping.**
- Uneven ground
 - Locations with soft subsoil
 - Locations at risk of flooding
 - Locations where the fixture may be covered by vegetation

- Make sure the mounting surface of the base plate has a level and smooth finish. Otherwise, it may cause the fixture to tilt as shown in the figure on the right.



- When installing multiple fixtures, level the fixtures by using the edges of the base plate as a reference.

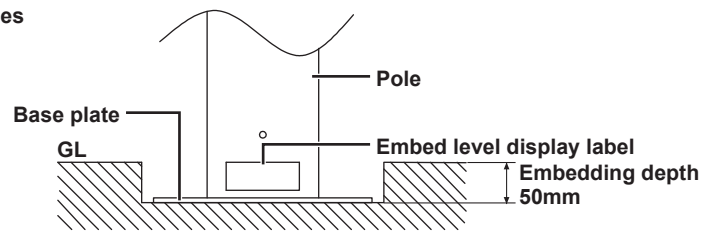
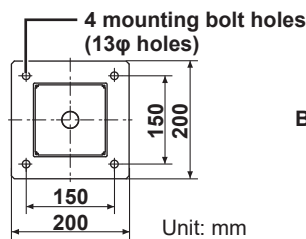
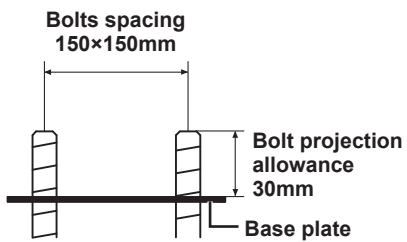


Caution

- If the mounting surface is not level and smooth, it may cause tilting.
- If leveling is incomplete, it may result in an uneven installation orientation.

1 Check the mounting surface.

*Bolts are not included with the fixture. Please prepare M10 bolts separately.

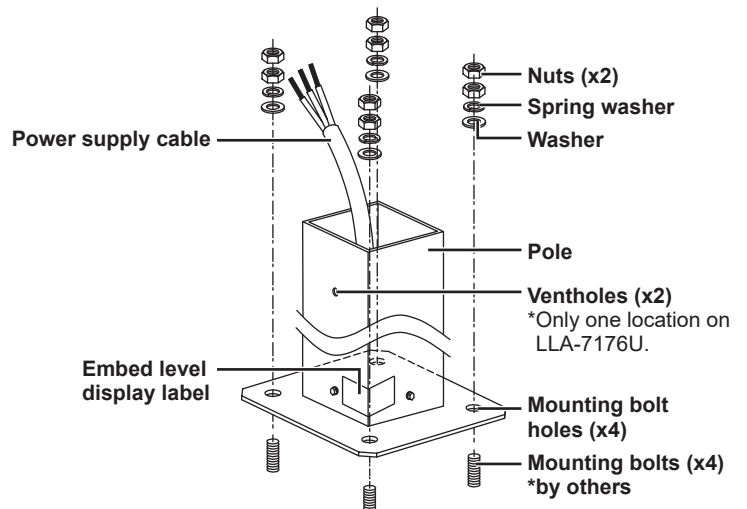


2 Install a base plate pole with mounting bolts.

*Washers, spring washers and nuts are not included with the fixture.

Please prepare M10 washers, spring washers and nuts separately to match the bolts.

*Provide sufficient drainage to prevent water from accumulating inside the pole.



3 Connect the power supply cable.
(Be sure to turn off the power before starting work.)

See P.02, Step 2.

4 Install the lighting fixture.

See P.02, Step 3.

5 Embed the pole in the ground.

*Make sure that the ventholes are not obstructed.

*The LLA-7176U does not have ventholes at the locations shown in the diagram below.

