

# Installation Manual

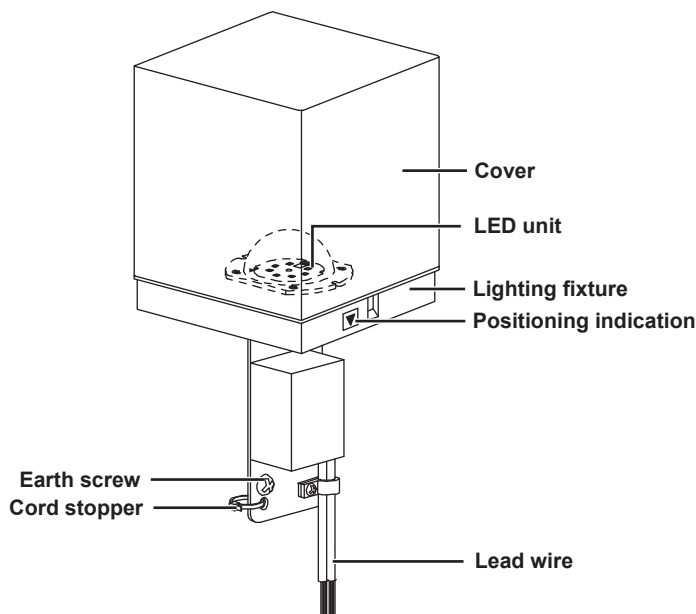
For outdoor installation  
Pole lighting fixture

Model: LLP-7021LUE

- For outdoor installation (rainproof, moisture-proof, heavy-duty salt-resistant)
- For installation on the ground (Fixed/recessed dual-use)
- With overheat protection function
- LED unit is non-replaceable
- Non-Dimmable
- Cannot be used alone. For compatible poles

## Name of parts

\*The diagram below is a simplified illustration.



### Enclosed parts



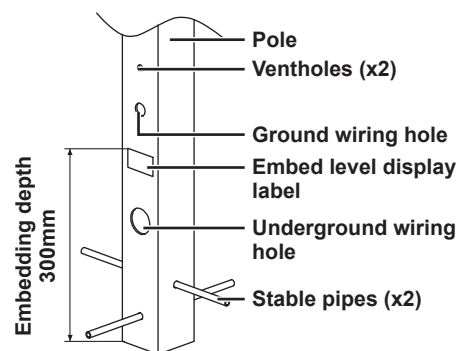
Lighting fixture fixing screws (x2)



Hexagonal wrench (nominal size: 2 mm) (x1)

### Embedded pole (Sold separately)

Model No. LLA-7022U (L=600)  
LLA-7023U (L=900)



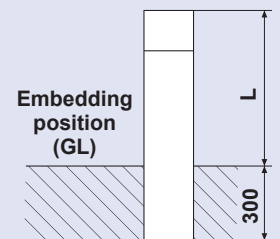
### Enclosed parts



Stable pipes (x2)

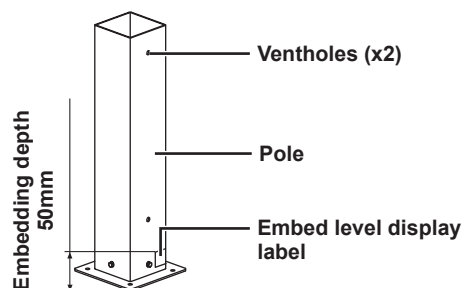
### Mounting dimensions

Unit: mm



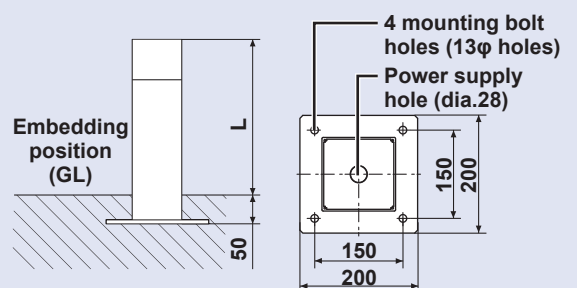
### Base plate pole (Sold separately)

Model No. LLA-7024U (L=600)  
LLA-7025U (L=900)



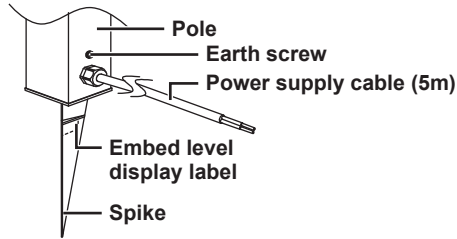
### Mounting dimensions

Unit: mm



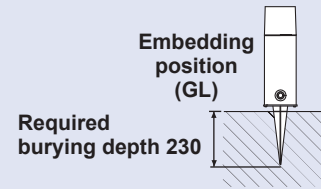
**Spike pole  
(Sold separately)**

Model No. LLA-7026UE



**Mounting dimensions**

Unit: mm



**Installation Procedure**

**Installation with embedded pole (Sold separately)**

**Precautions before Installation**

- During installation, make sure to follow the electrical equipment technical standards and the internal wiring regulations.
- For above-ground wiring, route through the ground wiring hole using a cable tie or the like.
- For underground wiring, use a conduit or similar method to protect the cable up to the underground wiring hole.

\*The cable tie, cable and protective conduit are not included with the fixture. Please prepare these separately.

- Make sure to provide drainage.
- Install the pole in a location with solid subsoil and good drainage.

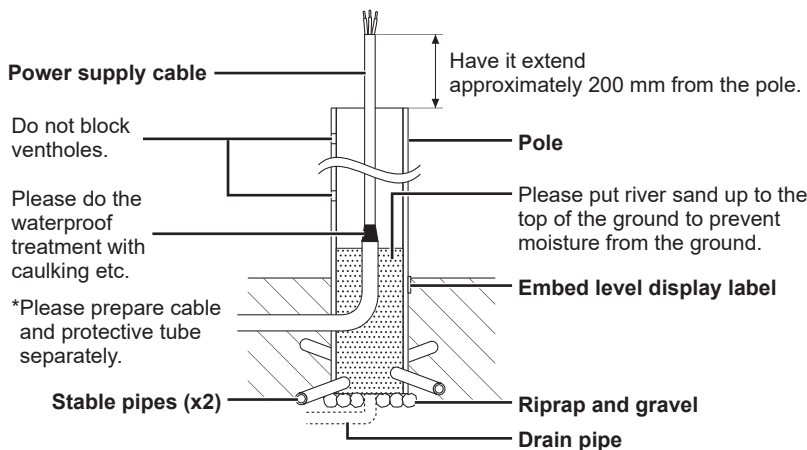
**Warning**

**Do not install in the following locations. Doing so may cause insulation failure or tipping.**

- Uneven ground
- Locations with soft subsoil
- Locations at risk of flooding
- Locations where the fixture may be covered by vegetation

**1 Embed the pole in the ground.**

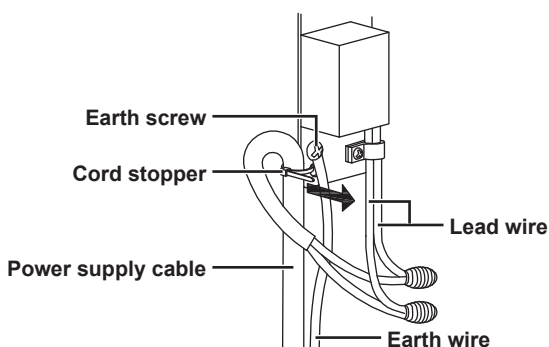
- \*Make sure that the ventholes are not obstructed.
- \*Provide sufficient drainage to prevent water from accumulating inside the pole.



**Warning**

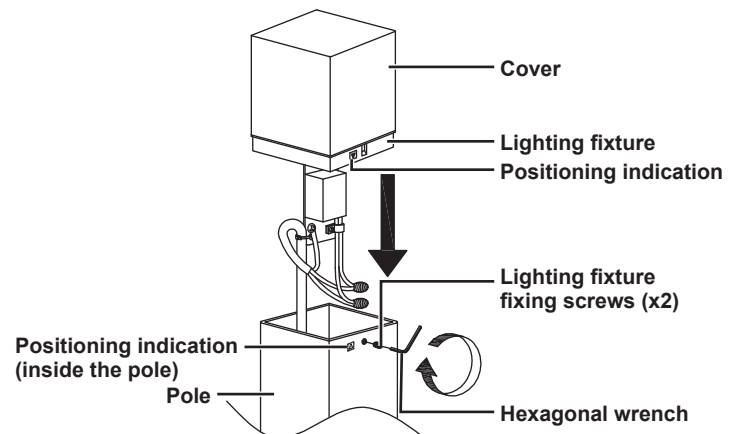
**If embedding is incomplete, it may cause insulation failure or tipping.**

**2 Connect the power supply cable.  
(Be sure to turn off the power before starting work.)**



**3 Install the lighting fixture.**

- Align the positioning indication on the lighting fixture and the pole and set the lighting fixture onto the pole. Next, securely tighten and fix the lighting fixture fixing screws (x2) with the hexagonal wrench.
- \*Check the cover for abnormalities such as cracks, breaks, or chips.

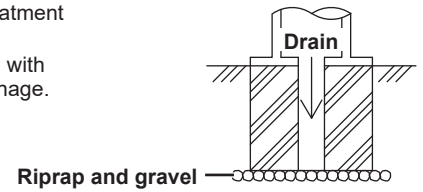


### Precautions before Installation

- During installation, make sure to follow the electrical equipment technical standards and the internal wiring regulations.
- Use a conduit or similar method to protect the power supply cable up to the power hole on the base plate.

\*The power supply cable, cable protective conduit, bolts, nuts, washers and spring washers are not included with the fixture. Please prepare these separately.

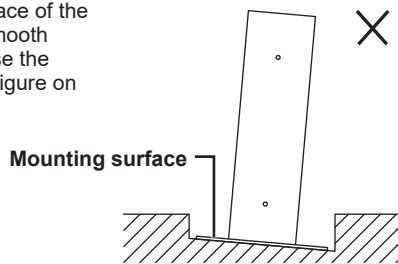
- Please thoroughly drain treatment in the pole.
- Install the pole in a location with solid subsoil and good drainage.



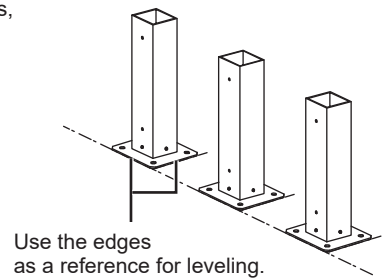
### Warning

- Do not install in the following locations. Doing so may cause insulation failure or tipping.**
- Uneven ground
  - Locations with soft subsoil
  - Locations at risk of flooding
  - Locations where the fixture may be covered by vegetation

- Make sure the mounting surface of the base plate has a level and smooth finish. Otherwise, it may cause the fixture to tilt as shown in the figure on the right.



- When installing multiple fixtures, level the fixtures by using the edges of the base plate as a reference.

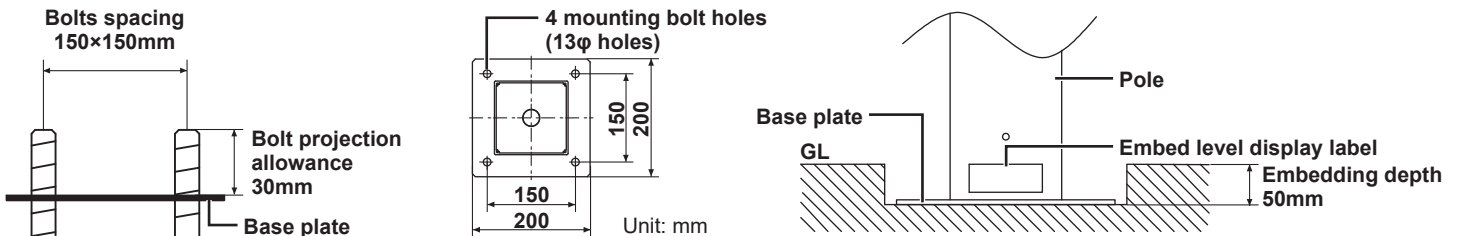


### Caution

- If the mounting surface is not level and smooth, it may cause tilting.
- If leveling is incomplete, it may result in an uneven installation orientation.

## 1 Check the mounting surface.

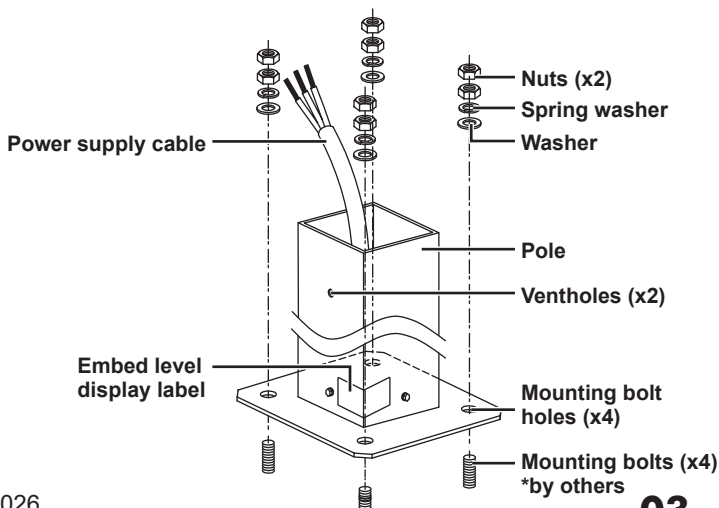
\*Bolts are not included with the fixture. Please prepare M10 bolts separately.



## 2 Install a base plate pole with mounting bolts. 3 Connect the power supply cable. (Be sure to turn off the power before starting work.)

\*Washers, spring washers and nuts are not included with the fixture. Please prepare M10 washers, spring washers and nuts separately to match the bolts.  
\*Provide sufficient drainage to prevent water from accumulating inside the pole.

See P.02, Step 2.

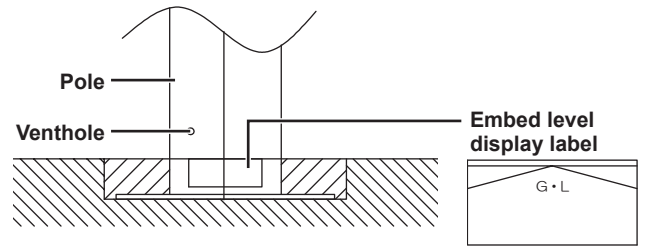


## 4 Install the lighting fixture.

See P.02, Step 3.

## 5 Embed the pole in the ground.

\*Make sure that the ventholes are not obstructed.



## Installation Procedure

Installation with spike pole (Sold separately)

### Precautions before Installation

- Install on a level surface. Do not install in locations that are at risk of flooding or on sloped surfaces. Water may accumulate, causing the fixture to tip over.
- Do not lay cables in locations that are subject to loads (such as locations over which vehicles operate).

\*The earth wire for connection to the spike pole is not included with the fixture. Please prepare one separately.

## 1 Connect the power supply cable. (Be sure to turn off the power before starting work.)

See P.02, Step 2.

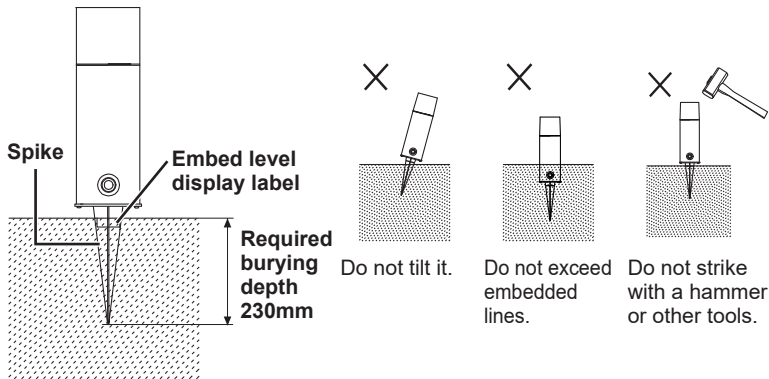
## 2 Install the lighting fixture.

See P.02, Step 3.

## 3 Embed the spike in the ground.

\*If the ground is hard, loosen it first with a shovel or similar tool before pressing it in.

\*Remove any gravel.



## 4 Connect the power supply cable. (Be sure to turn off the power before starting work.)

