

Installation Manual

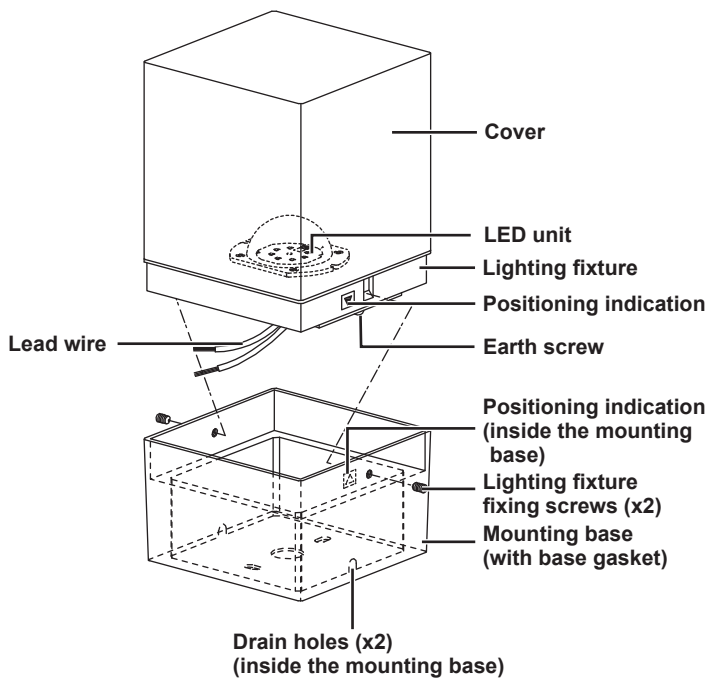
For outdoor installation
Pole lighting fixture

Model: LLP-7020LUE

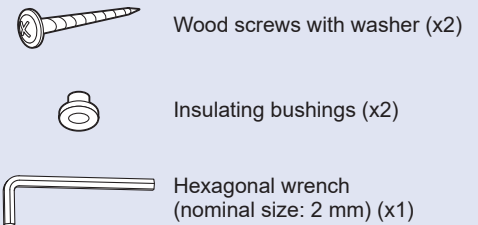
- For outdoor installation (rainproof, moisture-proof, heavy-duty salt-resistant)
- For floor mounting
- Wood screw mounting method
- With overheat protection function
- Non-Dimmable
- LED unit is non-replaceable

Name of parts

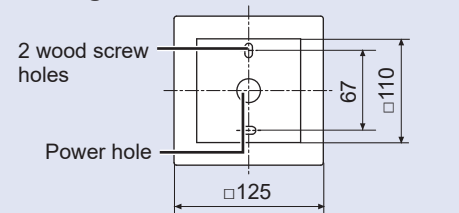
*The diagram below is a simplified illustration.



Enclosed parts



Mounting dimensions



Unit: mm

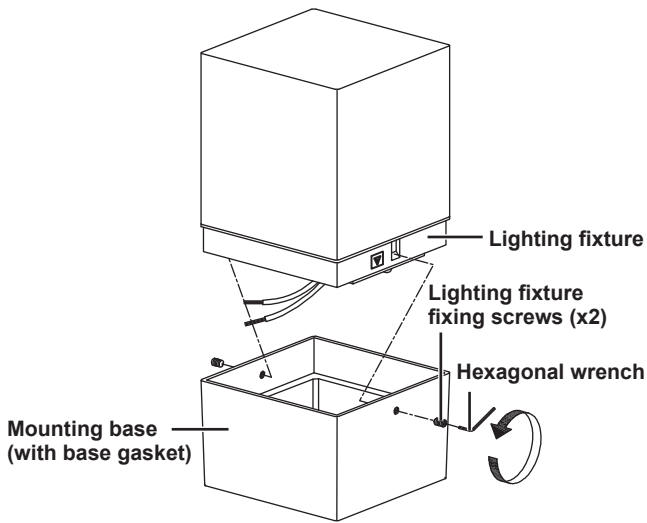
Installation Procedure

Precautions before Installation

- Install on a flat surface where the base gasket can adhere tightly.
- If the mounting surface is uneven, use sealing material to create a flat area larger than the base gasket.
- When installing fixtures on mounting surfaces with metal lath, wire lath, or metal sheets, use a separately sold insulation base to electrically insulate the mounting surface from the metal parts of the fixture.

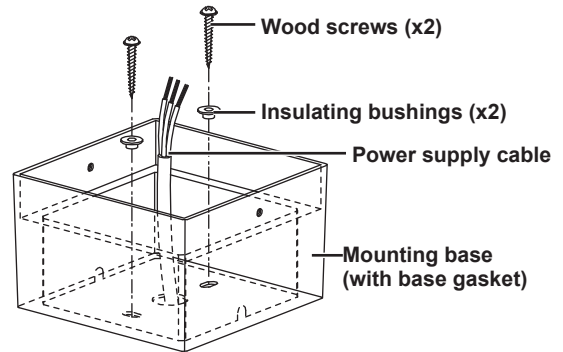
1 Remove the lighting fixture.

- Remove the lighting fixture fixing screws (x2) with the hexagonal wrench, then remove the lighting fixture from the mounting base.



2 Attach the mounting base.

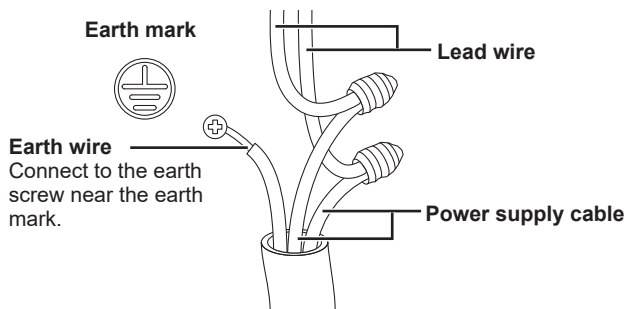
- Install the fixture only after the mounting surface is fully dry. If not fully dried, the plating or painted parts of the fixture may be damaged, or it may cause insulation failure.
- Route the power supply cable through the power hole in the mounting base, and attach it to a location on the floor surface with reinforcement using insulating bushings (x2) and wood screws (x2).



Warning

- If the screwing depth into the mounting section and reinforcement is 20 mm or less, it may cause the unit to tip over.
- Do not reuse screw holes that have already been used. This may cause the installation to tip over.

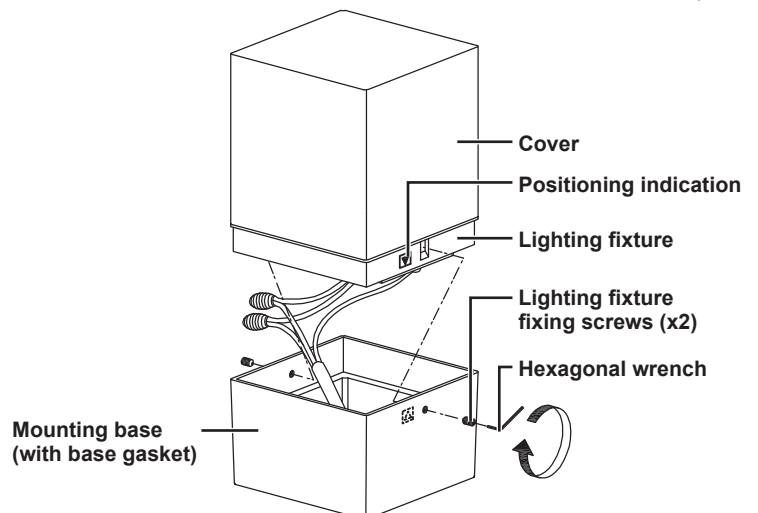
3 Connect the power supply cable. (Be sure to turn off the power before starting work.)



4 Install the lighting fixture.

- Align the positioning indication on the lighting fixture and the mounting base and set the lighting fixture onto the mounting base. Next, securely tighten and fix the lighting fixture fixing screws (x2) with the hexagonal wrench.

*Check the cover for abnormalities such as cracks, breaks, or chips.



Warning

- Insufficient installation can impair the waterproof function and may cause falling, insulation failure, or electrical leakage.