

Installation Manual

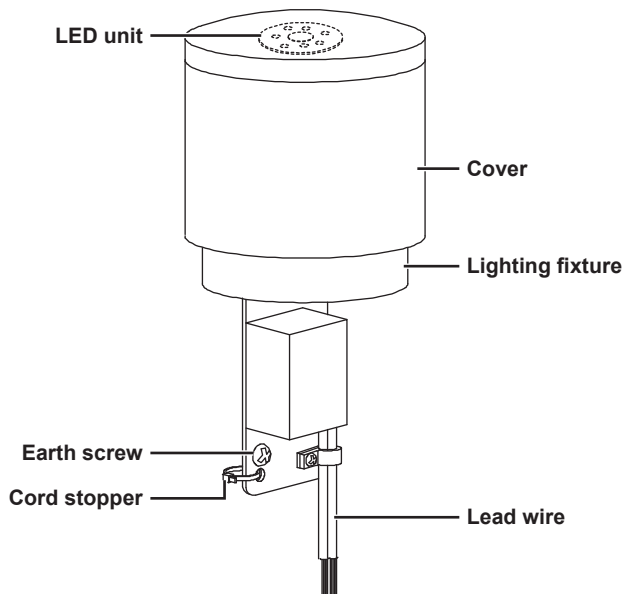
For outdoor installation
Pole lighting fixture

Model: LLP-7017LUE

- For outdoor installation (rainproof, moisture-proof, heavy-duty salt-resistant)
- For installation on the ground (Fixed/recessed dual-use)
- With overheat protection function
- LED unit is non-replaceable
- Non-Dimmable
- Cannot be used alone. For compatible poles

Name of parts

*The diagram below is a simplified illustration.



Enclosed parts



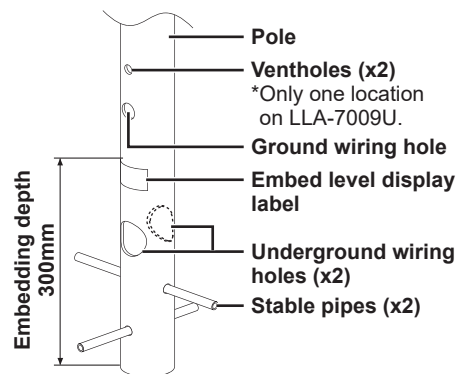
Lighting fixture fixing screws (x3)



Hexagonal wrench (nominal size: 1.5mm) (x1)

Embedded pole (Sold separately)

Model No. LLA-7009U (L=320)
LLA-7010U (L=520)
LLA-7011U (L=820)



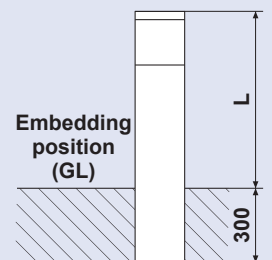
Enclosed parts



Stable pipes (x2)

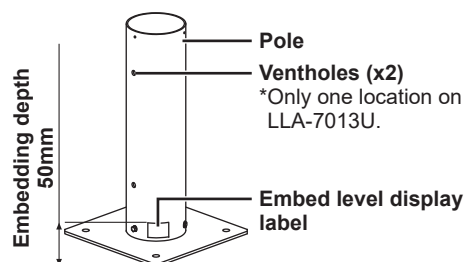
Mounting dimensions

Unit: mm



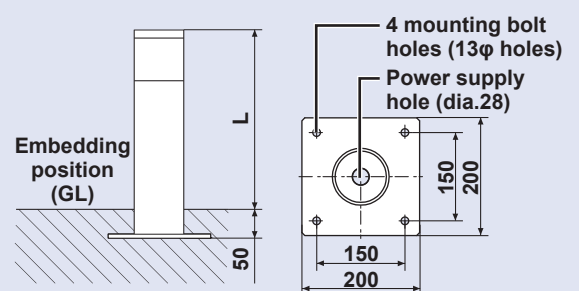
Base plate pole (Sold separately)

Model No. LLA-7013U (L=320)
LLA-7014U (L=520)
LLA-7015U (L=820)



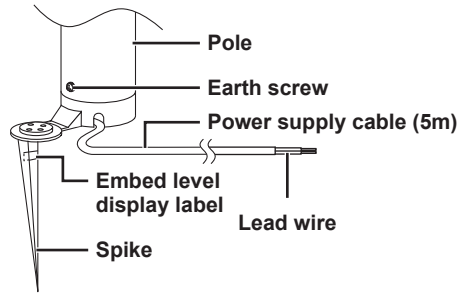
Mounting dimensions

Unit: mm



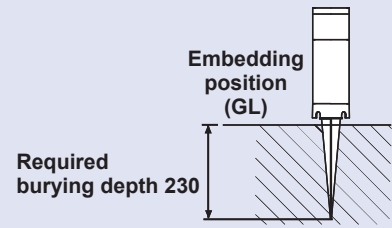
**Spike pole
(Sold separately)**

Model No. LLA-7016UE



Mounting dimensions

Unit: mm



Installation Procedure

Installation with embedded pole (Sold separately)

Precautions before Installation

- During installation, make sure to follow the electrical equipment technical standards and the internal wiring regulations.
- For above-ground wiring, route through the ground wiring hole using a cable tie or the like.
- For underground wiring, use a conduit or similar method to protect the cable up to the underground wiring hole.

*The cable tie, cable and protective conduit are not included with the fixture. Please prepare these separately.

- Make sure to provide drainage.
- Install the pole in a location with solid subsoil and good drainage.

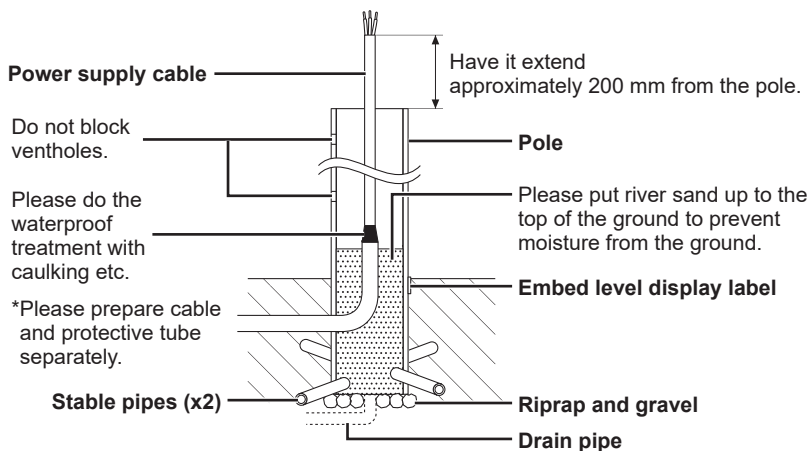
Warning

Do not install in the following locations. Doing so may cause insulation failure or tipping.

- Uneven ground
- Locations with soft subsoil
- Locations at risk of flooding
- Locations where the fixture may be covered by vegetation

1 Embed the pole in the ground.

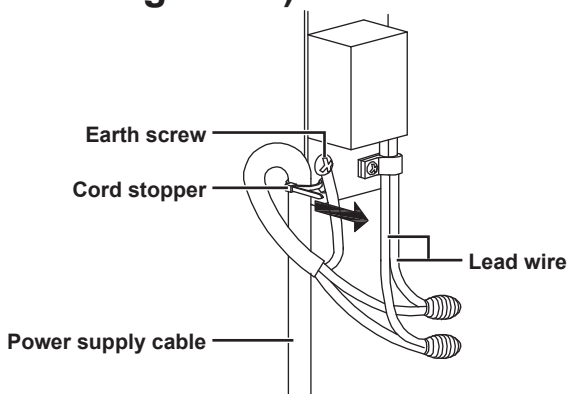
- *Make sure that the ventholes are not obstructed.
- *Provide sufficient drainage to prevent water from accumulating inside the pole.



Warning

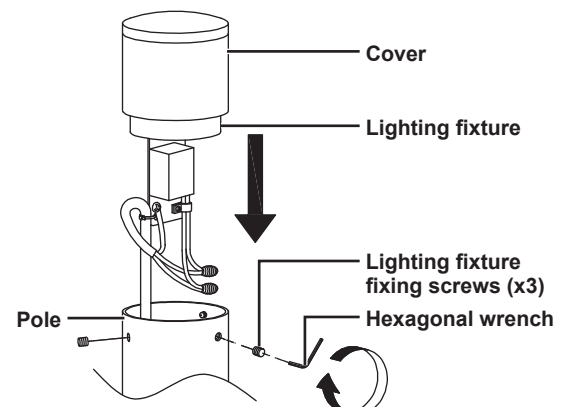
If embedding is incomplete, it may cause insulation failure or tipping.

**2 Connect the power supply cable.
(Be sure to turn off the power before starting work.)**



3 Install the lighting fixture.

*Check the cover for abnormalities such as cracks, breaks, or chips.

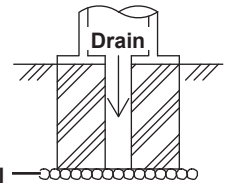


Precautions before Installation

- During installation, make sure to follow the electrical equipment technical standards and the internal wiring regulations.
- Use a conduit or similar method to protect the power supply cable up to the power hole on the base plate.

*The power supply cable, cable protective conduit, bolts, nuts, washers and spring washers are not included with the fixture. Please prepare these separately.

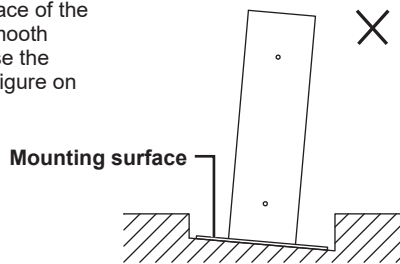
- Please thoroughly drain treatment in the pole.
- Install the pole in a location with solid subsoil and good drainage.



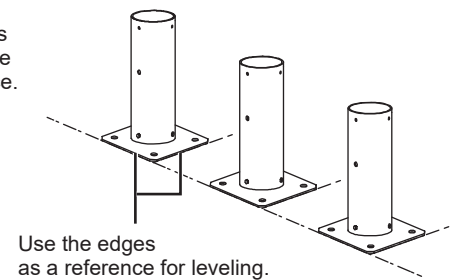
Warning

- Do not install in the following locations. Doing so may cause insulation failure or tipping.**
- Uneven ground
 - Locations with soft subsoil
 - Locations at risk of flooding
 - Locations where the fixture may be covered by vegetation

- Make sure the mounting surface of the base plate has a level and smooth finish. Otherwise, it may cause the fixture to tilt as shown in the figure on the right.



- When installing multiple fixtures, level the fixtures by using the edges of the base plate as a reference.

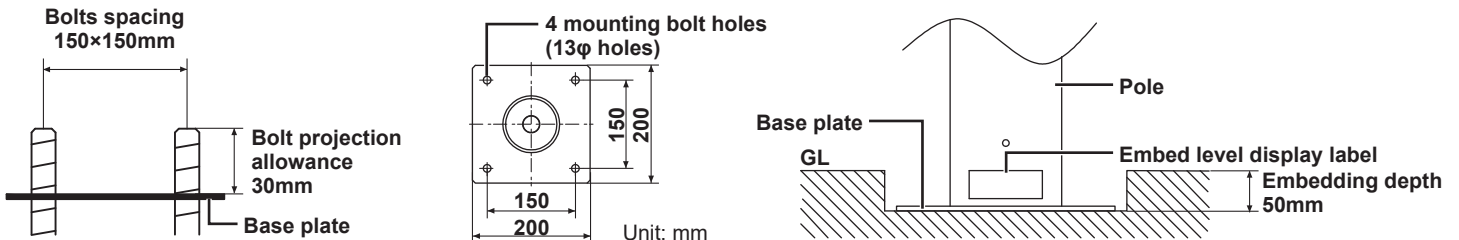


Caution

- If the mounting surface is not level and smooth, it may cause tilting.
- If leveling is incomplete, it may result in an uneven installation orientation.

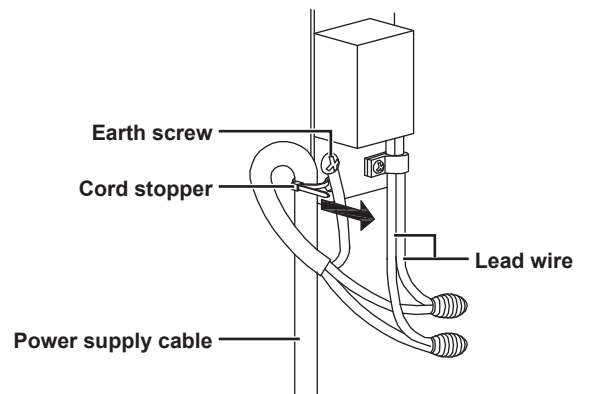
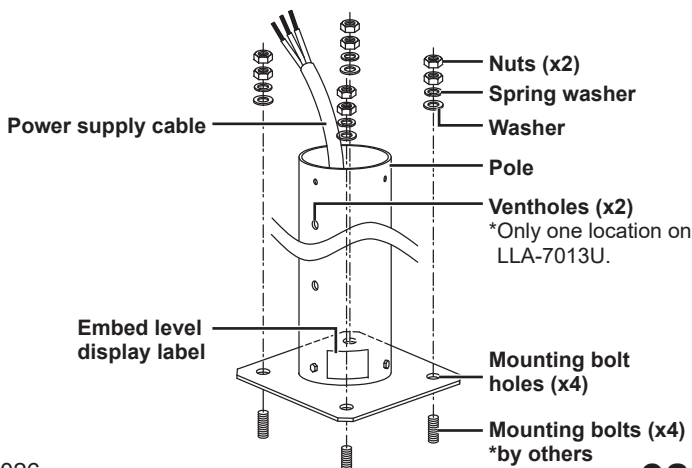
1 Check the mounting surface.

*Bolts are not included with the fixture. Please prepare M10 bolts separately.



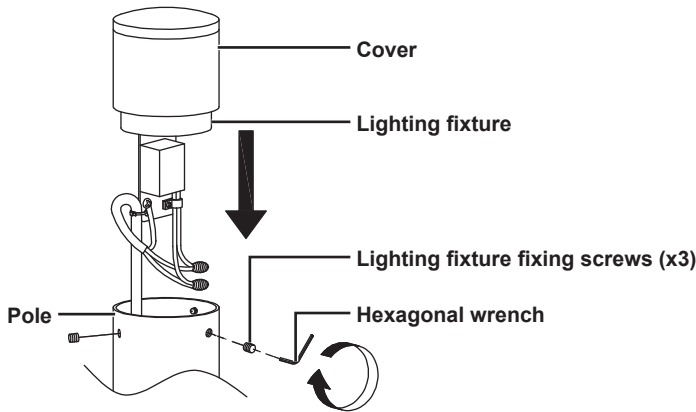
2 Install a base plate pole with mounting bolts. 3 Connect the power supply cable. (Be sure to turn off the power before starting work.)

*Washers, spring washers and nuts are not included with the fixture. Please prepare M10 washers, spring washers and nuts separately to match the bolts.
*Provide sufficient drainage to prevent water from accumulating inside the pole.



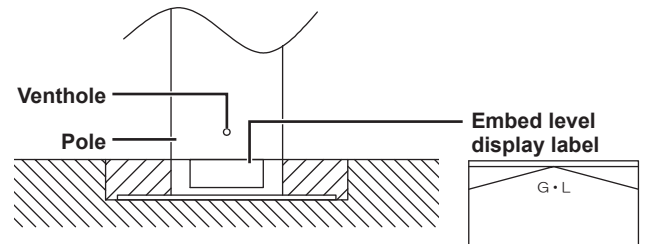
4 Install the lighting fixture.

*Check the cover for abnormalities such as cracks, breaks, or chips.



5 Embed the pole in the ground.

*Make sure that the ventholes are not obstructed.
*The LLA-7013U does not have ventholes at the locations shown in the diagram below.



Installation Procedure

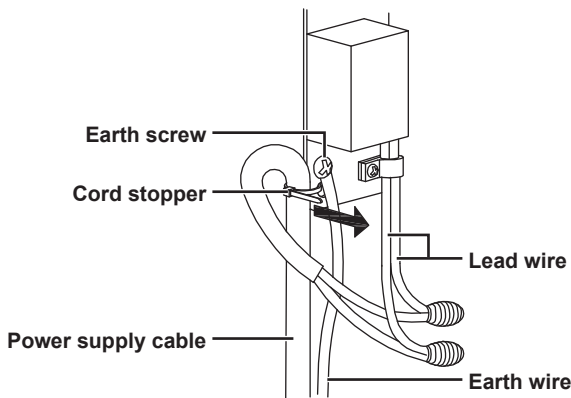
Installation with spike pole (Sold separately)

Precautions before Installation

- Install on a level surface. Do not install in locations that are at risk of flooding or on sloped surfaces. Water may accumulate, causing the fixture to tip over.
- Do not lay cables in locations that are subject to loads (such as locations over which vehicles operate).

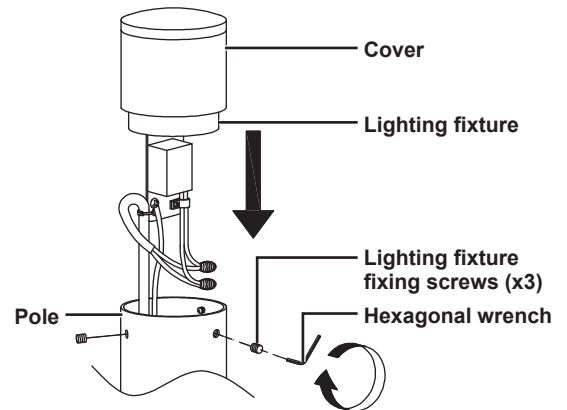
*The earth wire for connection to the spike pole is not included with the fixture. Please prepare one separately.

1 Connect the power supply cable. (Be sure to turn off the power before starting work.)



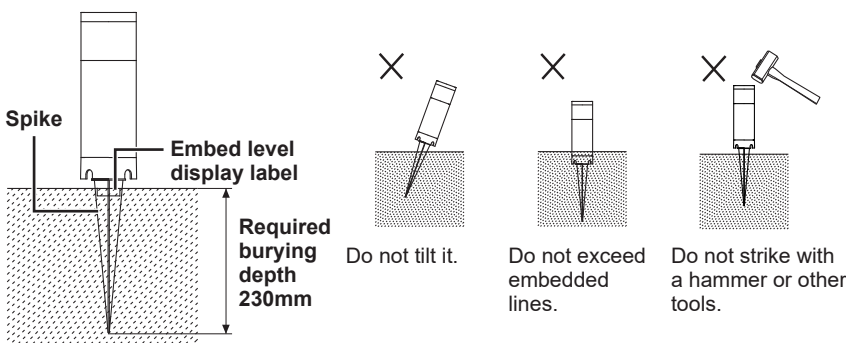
2 Install the lighting fixture.

*Check the cover for abnormalities such as cracks, breaks, or chips.



3 Embed the spike in the ground.

*If the ground is hard, loosen it first with a shovel or similar tool before pressing it in.
*Remove any gravel.



4 Connect the power supply cable. (Be sure to turn off the power before starting work.)

