

Installation Manual

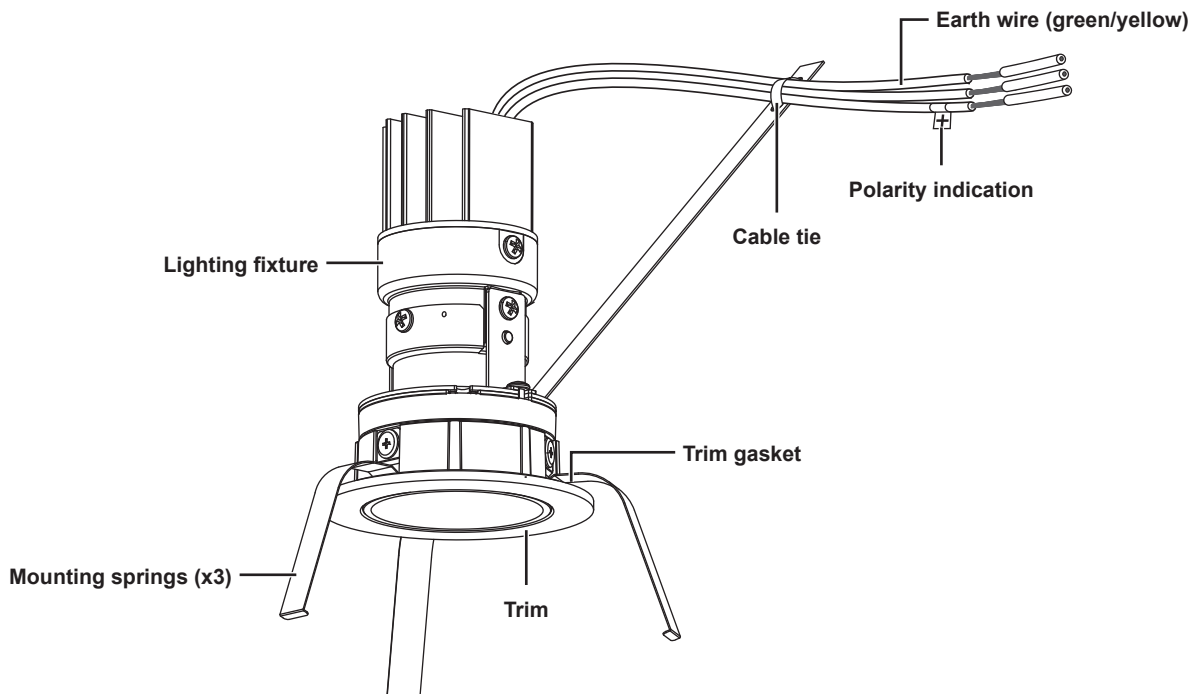
Ceiling-recessed downlight

Model: LLD-7083LUW / LLD-7083YUW / LLD-7083AUW
 LLD-7083LUB / LLD-7083YUB / LLD-7083AUB

- For eaves installation (rainproof, moisture-proof, heavy-duty salt-resistant)
- For ceiling installation (recessed type)
- Spring mounting method
- LED unit is non-replaceable

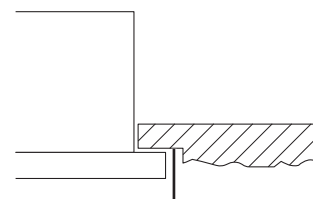
Name of parts

*The diagram below is a simplified illustration.



Precautions before Installation

- When installing on the following types of ceilings, be sure to insert reinforcement material (such as steel plates or wooden blocks) between the lighting fixture mounting springs and the ceiling.
 - Soft ceilings such as mineral wool
 - Ceilings made of calcium silicate boards
- Install the fixture only after the mounting surface is fully dry. If not fully dried, the plating or painted parts of the fixture may be damaged, or it may cause insulation failure.
- For ceilings with surface irregularities of 1 mm or more, counterbore and flatten the surface. If installed as is, it may cause light leakage or reduced airtightness.

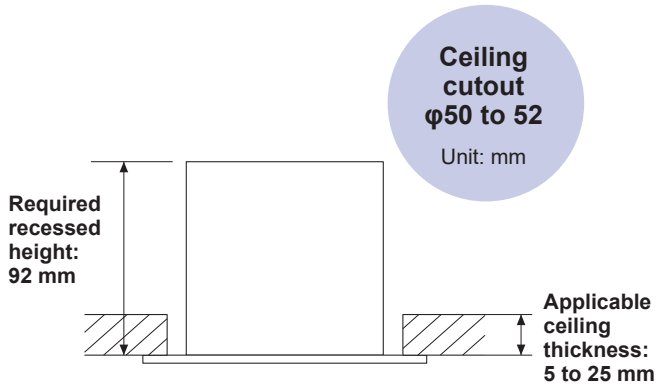


Counterbore the surface.

Installation Procedure

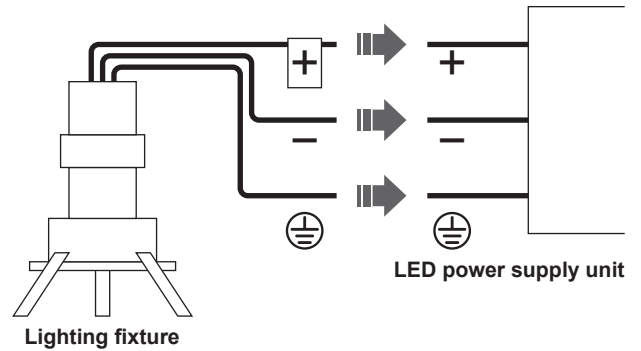
1 Check the ceiling surface.

- Check the cutout hole, required recessed height, and applicable ceiling thickness.



2 Connect the lighting fixture cable to a remote LED power supply. (Be sure to turn off the power before starting work.)

- *Use an earth wire and be sure to perform grounding work.
- *Pay attention to polarity.



3 Insert the LED power supply unit. 4 Install the lighting fixture.

