

Installation Manual

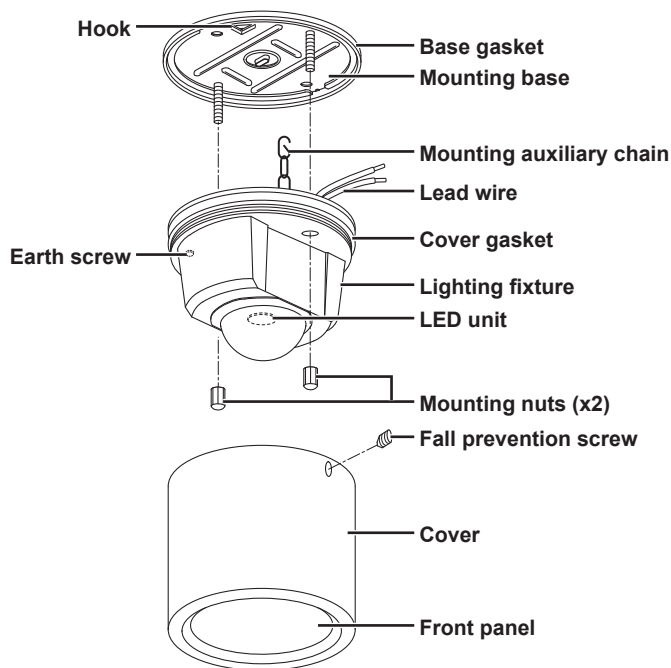
Ceiling-mounted downlight

Model: LLC-7089LU / LLC-7089YU / LLC-7089AU
 LLC-7090LU / LLC-7090YU / LLC-7090AU

- For outdoor installation (rainproof, moisture-proof, heavy-duty salt-resistant)
- For ceiling installation
- Wood screw mounting method
- With overheat protection function
- Non-Dimmable
- LED unit is non-replaceable

Name of parts

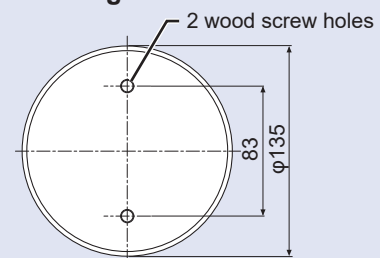
*The diagram below is a simplified illustration.



Enclosed parts

- Wood screws (x2)
- Insulating bushings (x2)
- Protective tubes (x3)
- Mounting nuts (x2)
- Hexagonal wrench (nominal size: 2.0)
- Fall prevention screw (x1)

Mounting dimensions



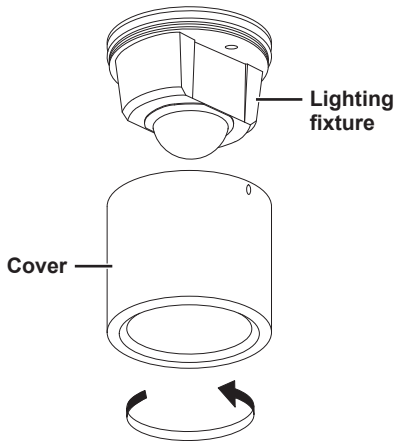
Unit: mm

Precautions before Installation

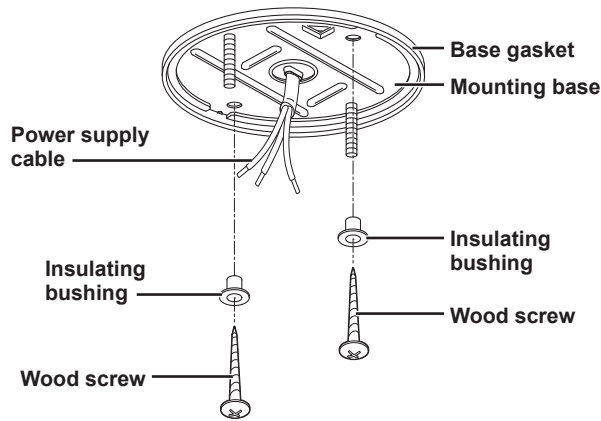
- Install on a flat surface where the base gasket can adhere tightly.
- If the mounting surface is uneven, use sealing material to create a flat area larger than the base gasket.
- When installing fixtures on ceilings with metal lath, wire lath, or metal sheets, use a separately sold insulation base to electrically insulate the mounting surface from the metal parts of the fixture.

Installation Procedure

1 Remove the cover.

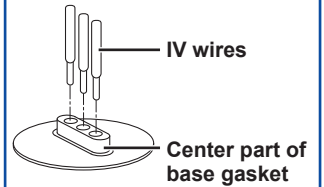


2 Install the mounting base.

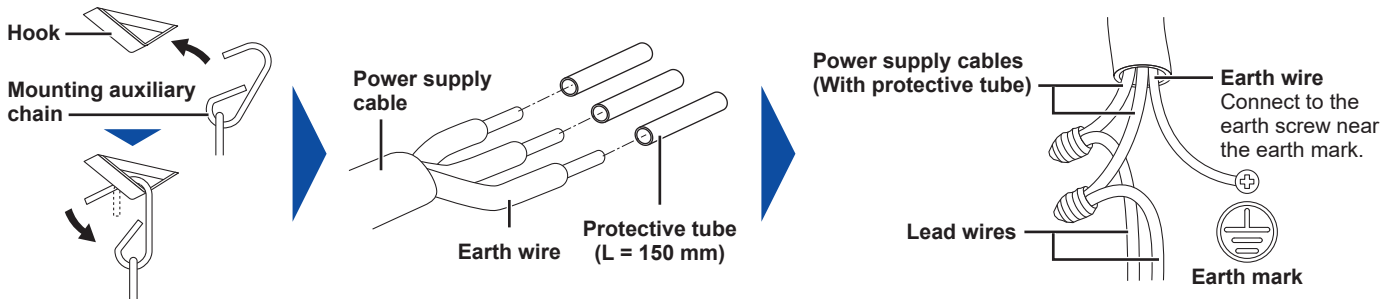


<When using IV wires for installation>

- Pass each IV wire through the hole in the gasket one by one.



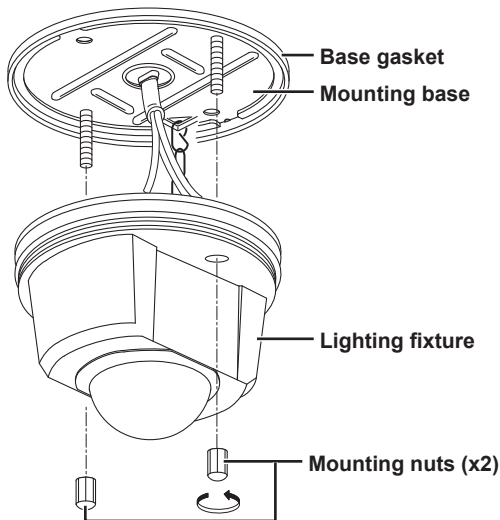
3 Connect the power supply cable. (Be sure to turn off the power before starting work.)



⚠ Warning

- Be sure not to let the protective tube protrude from the base gasket. Make sure to store it inside the lighting fixture. Otherwise, it may compromise the waterproof structure and cause falling, insulation failure, or electric leakage.
- After wiring, be sure to perform insulation and waterproof treatment properly. Incomplete treatment may cause fire, electric shock, insulation failure, or electric leakage.
- Do not use at voltages other than the rated voltage. Otherwise, it may cause fire or electric shock.

4 Install the lighting fixture.



5 Install the cover.

